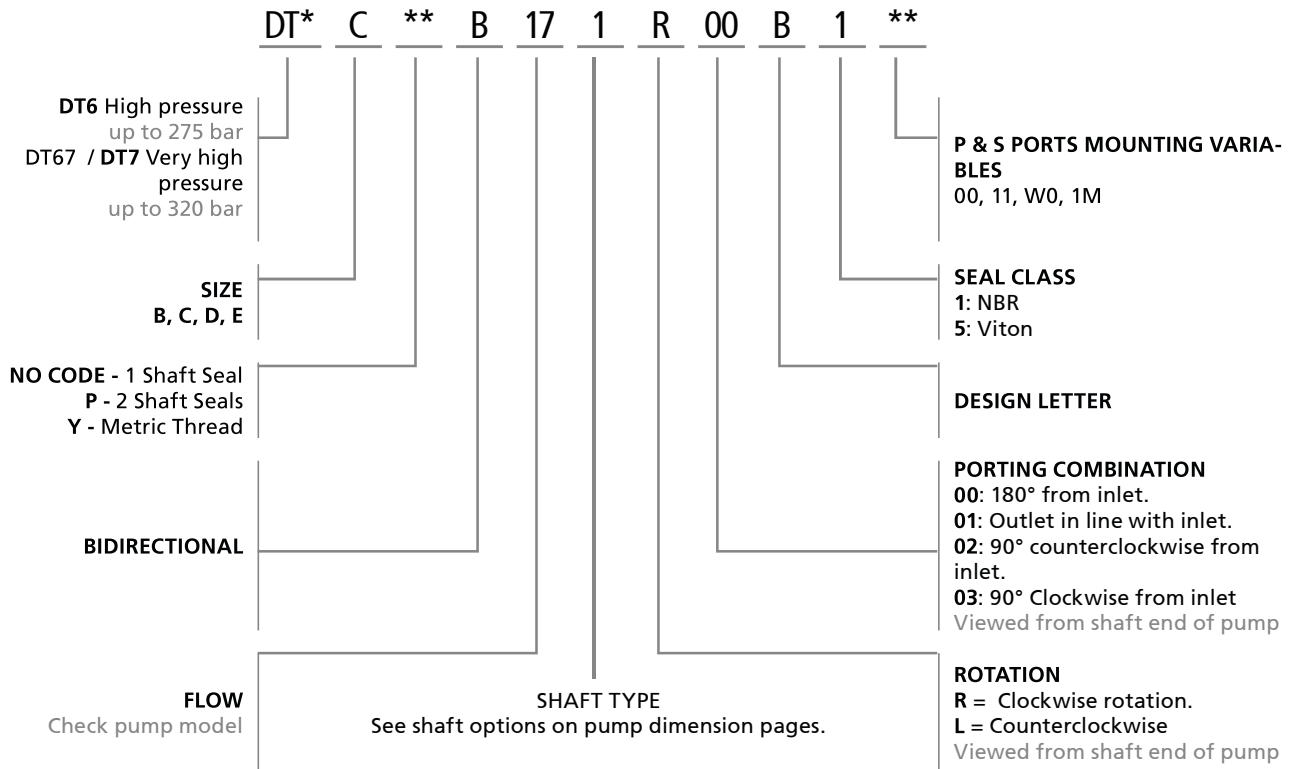
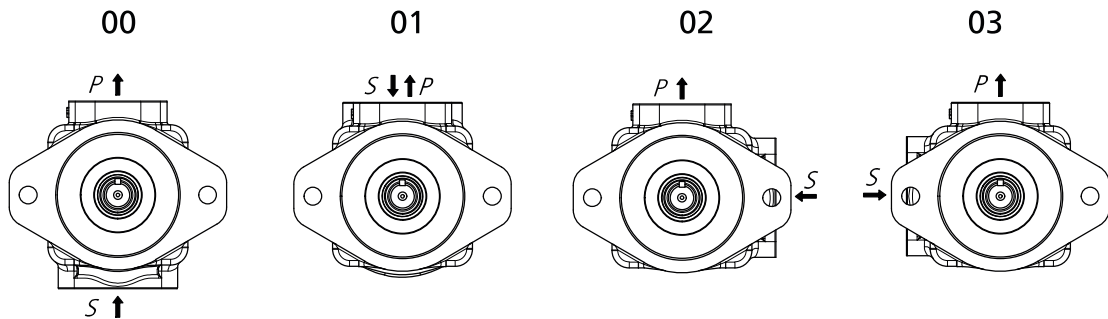


ORDERING CODE

DATA SHEET



PORTING COMBINATION



GENERAL CHARACTERISTICS

TYPE	FLOW		SPEED(rpm)		PRESSURE (bar)		NOMINAL POWER	CONNECTION			WEIGHT									
	DENISON	GAL. @ 1200RPM	L @ 1000RPM	MIN	MAX	CONT	INTERMIT	(2)	FLANGE	INLET	OUTLET	KG								
DT7BS DT67B		2	6	600 (1)	3600	290	320	1,3	SAE B	Ø 1 1/2"	Ø 3/4" Ø 1"	23								
		3	10													2,2				
		4	13													2,9				
		5	16													3,6				
		6	20													4,4				
		7	23													5,1				
		8	25													5,6				
		9	28													6,2				
		10	32													7,1				
		11	35													7,8				
		12	41													9,1				
		14	45										3000	275	300	10,0				
		15	50											240	280	11,1				
																9,8				
																12,2				
DT7DS DT67D		14	44	600	3000	250	300	14,7	SAE C	Ø 2" Ø 2 1/2"	Ø 1 1/4"	29								
		17	55													15,6				
		20	66													18,0				
		22	70													20,0				
		24	81													22,0				
		28	90													25,1				
		31	99													26,9				
		35	113													30,7				
		38	121										2800		280	32,4				
		42	138											2500	230	260	35,1			
		45	146												210	240	42,4			
		50	158											2200	160	210	2,4			
		61	191										1800	80	120	22,2				
																2,4				
																3,8				
							4,7													
DT6C		3	11	500	2800	240	275	5,8	SAE B	Ø 1 1/2"	Ø 1"	15								
		5	17													7,6				
		6	21													8,2				
		8	26													10,2				
		10	34													12,9				
		12	37													14,2				
		14	46													15,6				
		17	58													17,6				
		20	64													19,8				
		22	70													22,2				
		25	79																	
		28	89																	
		31	100										2500	160	210					
DT6D		14	48	500	2500	210	240	10,7	SAE C	Ø 2"	Ø 1 1/4"	24								
		20	66													14,7				
		24	80													17,8				
		28	90													20,0				
		31	98													21,8				
		35	111													24,7				
		38	120													26,7				
		42	136													30,2				
		45	146											2200		32,4				
		50	158												160	210	35,1			
		61	191										1800	80	120	42,4				
DT6E		42	132	500	2200	210	240	29,3	SAE C	Ø 3"	Ø 1 1/2"	44								
		45	142													31,6				
		50	159													35,3				
		52	165													36,7				
		57	183																	
		62	197													43,8				
		66	213													47,3				
		72	227													50,4				
		85	270										2000	75	90	60,0				

(1) Lower speed can be achieved depending of pressure, temperature, oil viscosity. Consult our technical department

(2) **Nominal Power** in H.P. at 100 Bar and 1000 RPM (to convert into Kw multiply by 0.735).

To obtain the real input power at different pressure and revolutions, use the formula as follows:

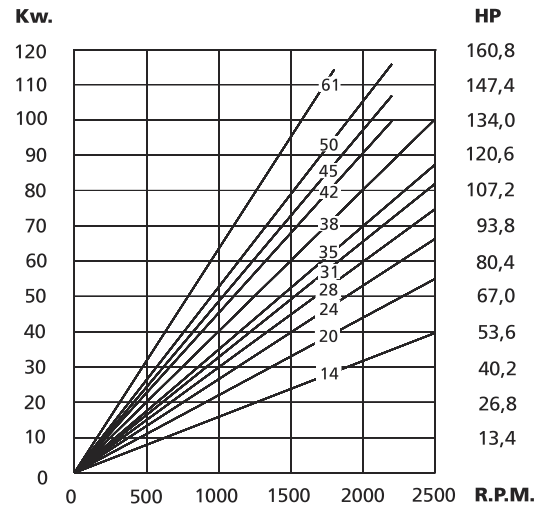
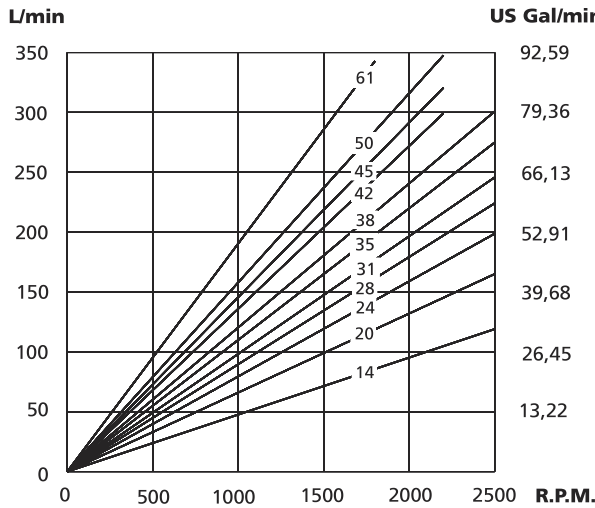
$$\text{Real input power} = \text{Input power} \times \frac{\text{R.P.M}}{1000} \times \frac{\text{Pressure (Bar)}}{1000}$$

DT6D OPERATING CHARACTERISTICS

	FLOW											SPEED(rpm)		PRESSURE (bar)		WEIGHT
	Lts/min.at 1000 rpm	48	66	80	90	98	111	120	136	146	158	191	Mín.	Máx.*	Contín.*	Intermit.*
Gal/min.at1200 rpm	14	20	24	28	31	35	38	42	45	50	61	500	2500	210	240	24

* See page 41 for further information about speed & pressure.

DATA SHEET



Theoretical Flow (0 Bar)

To calculate the real flow at a given operating pressure, subtract the internal leakage value for this pressure (see diagram below) from the theoretical flow. (See diagram above).

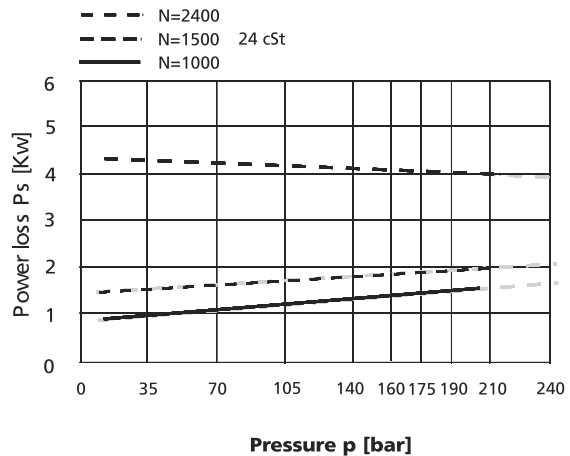
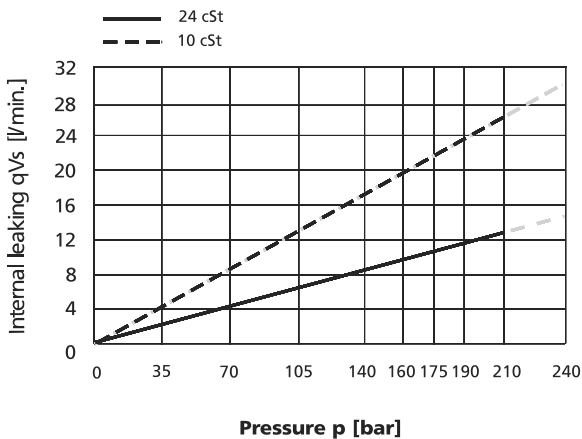
Theoretical Input Power at 200 Bar

To calculate the theoretical input power at other pressures and speeds, use the formula:

$$P(Kw) = \frac{Q(L/min.) \times P(Bar)}{600}$$

Where Q is the theoretical flow (upper left diagram) and P the operating pressure.

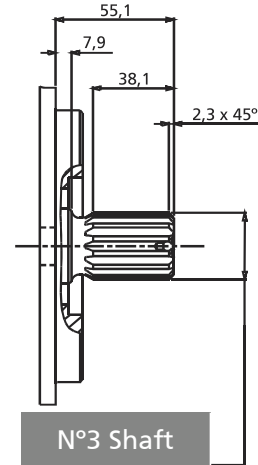
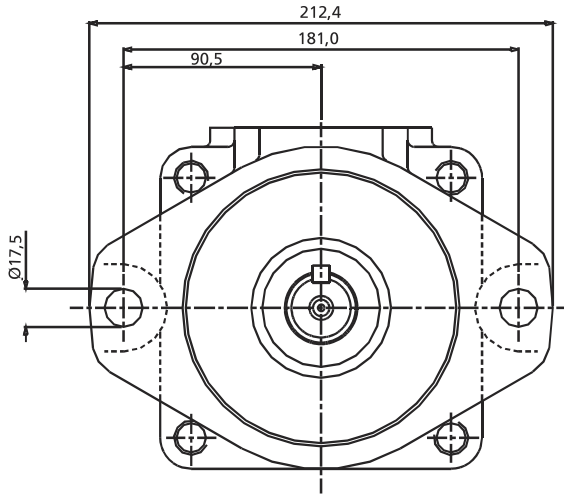
To calculate the real input power, add to the theoretical power the hydromechanical power losses (see diagram below).



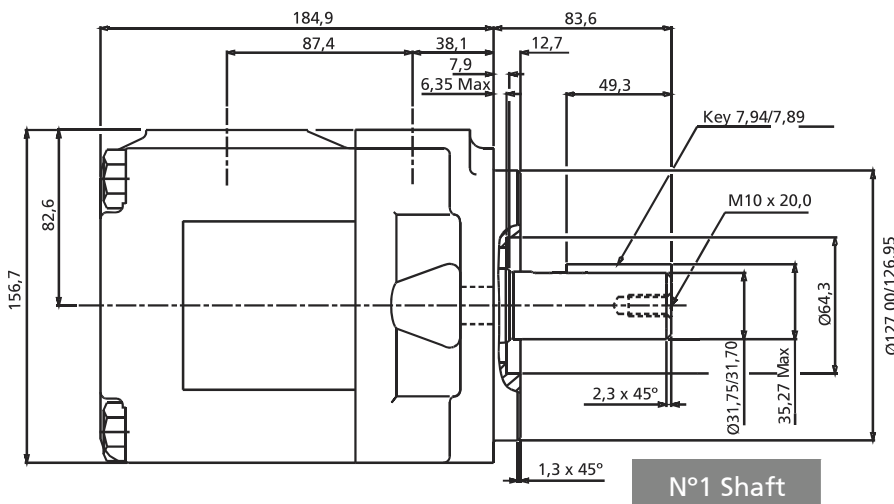
Do not operate pump more than 5 seconds at any speed or viscosity if internal leakage is more than 50 % of theoretical flow

DT6D / DT67D* DIMENSIONS

DIMENSIONS IN MILLIMETERS. 1" = 25,4 mm
 *FOR FURTHER INFO ABOUT DT67D SEE PAGE 44

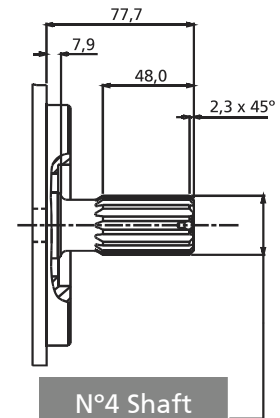


N°3 Shaft
 SAE C Splined shaft 1-J498b
 12/24 d.p. - 14 Teeth
 30° Pressure angle



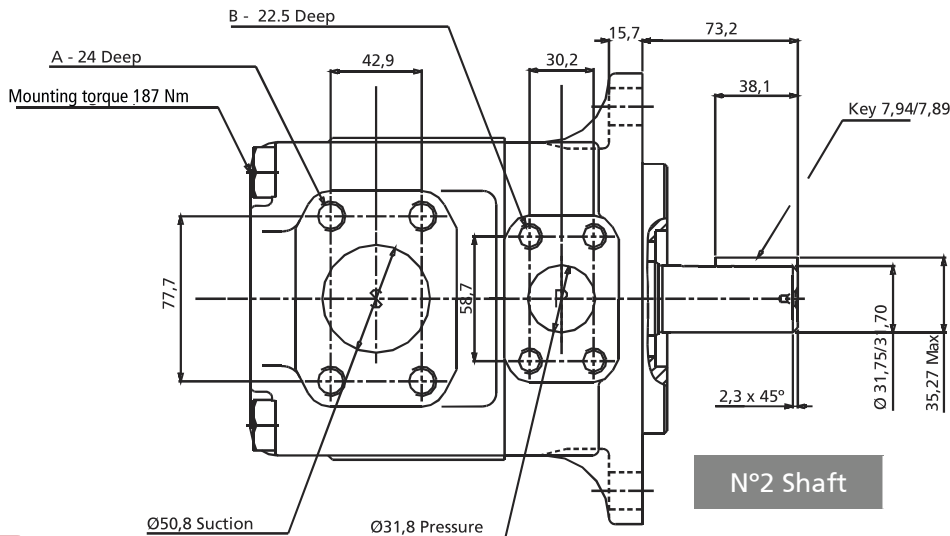
N°1 Shaft

	00	M0
A	½" - 13 UNC	M12
B	7/16" - 14 UNC	M10



N°4 Shaft

No SAE splined shaft 1-J498b
 16/24 d.p. - 14 teeth
 30° Pressure angle



N°2 Shaft

ADDITIONAL SHAFT CODES: SEE ON PAGES 114-118