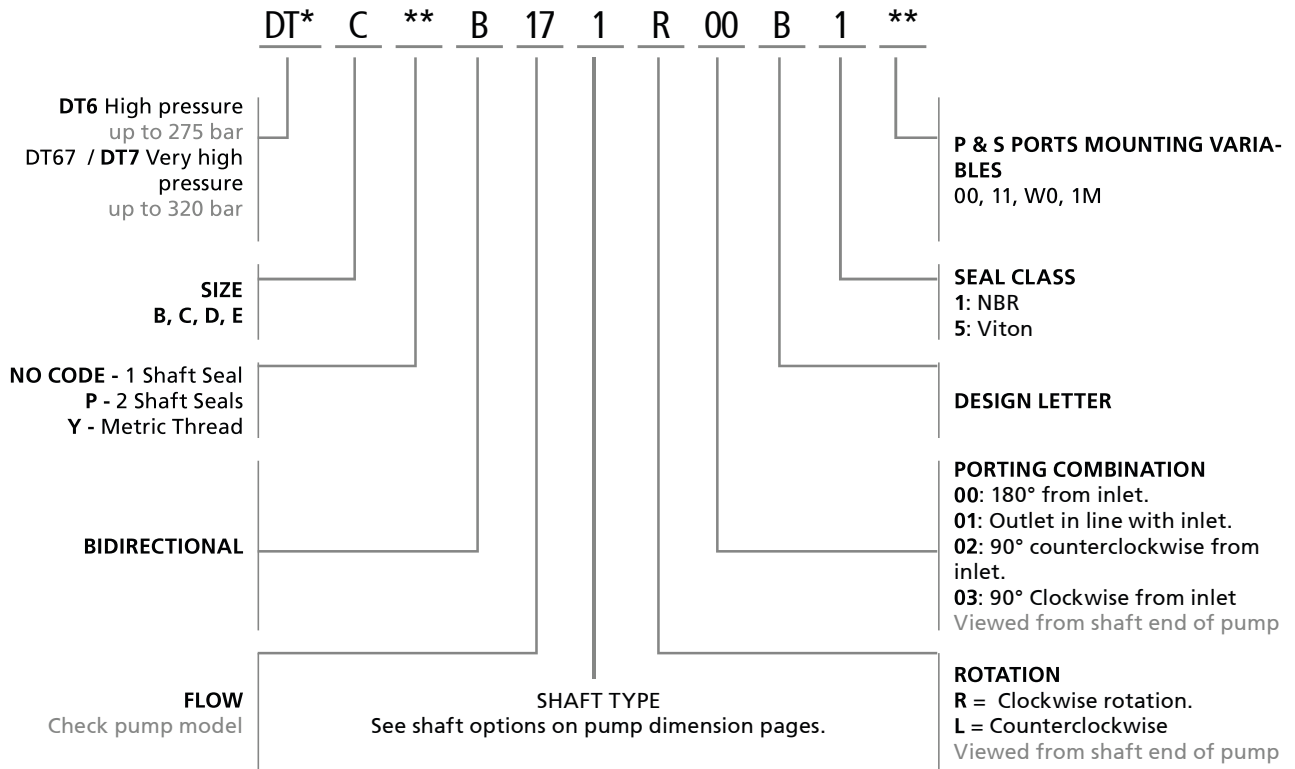
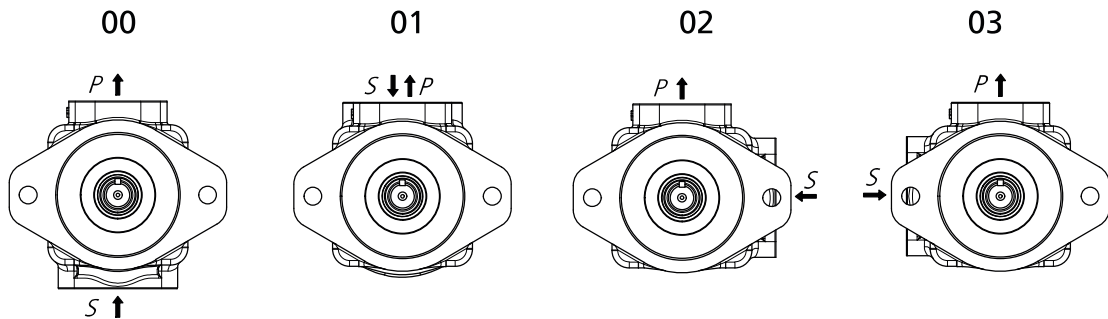


**ORDERING CODE**

**DATA SHEET**



**PORTING COMBINATION**



## GENERAL CHARACTERISTICS

TYPE	FLOW		SPEED(rpm)		PRESSURE (bar)		NOMINAL POWER	CONNECTION			WEIGHT	
	DENISON	GAL. @ 1200RPM	L @ 1000RPM	MIN	MAX	CONT	INTERMIT	(2)	FLANGE	INLET	OUTLET	KG
DT7BS DT67B		2	6	600 (1)	3600	290	320	1,3	SAE B	Ø 1 1/2"	Ø 3/4" Ø 1"	23
		3	10					2,2				
		4	13					2,9				
		5	16					3,6				
		6	20					4,4				
		7	23					5,1				
		8	25					5,6				
		9	28					6,2				
		10	32					7,1				
		11	35					7,8				
		12	41					9,1				
		14	45					10,0				
		15	50					11,1				
DT7DS DT67D		14	44	600	3000	250	300	9,8	SAE C	Ø 2" Ø 2 1/2"	Ø 1 1/4"	29
		17	55					12,2				
		20	66					14,7				
		22	70					15,6				
		24	81					18,0				
		28	90					20,0				
		31	99					22,0				
		35	113					25,1				
		38	121					26,9				
		42	138					30,7				
		45	146					32,4				
		50	158					35,1				
		61	191					42,4				
DT6C		3	11	500	2800	240	275	2,4	SAE B	Ø 1 1/2"	Ø 1"	15
		5	17					3,8				
		6	21					4,7				
		8	26					5,8				
		10	34					7,6				
		12	37					8,2				
		14	46					10,2				
		17	58					12,9				
		20	64					14,2				
		22	70					15,6				
		25	79					17,6				
		28	89					19,8				
		31	100					22,2				
DT6D		14	48	500	2500	210	240	10,7	SAE C	Ø 2"	Ø 1 1/4"	24
		20	66					14,7				
		24	80					17,8				
		28	90					20,0				
		31	98					21,8				
		35	111					24,7				
		38	120					26,7				
		42	136					30,2				
		45	146					32,4				
		50	158					35,1				
		61	191					42,4				
DT6E		42	132	500	2200	210	240	29,3	SAE C	Ø 3"	Ø 1 1/2"	44
		45	142					31,6				
		50	159					35,3				
		52	165					36,7				
		57	183									
		62	197					43,8				
		66	213					47,3				
		72	227					50,4				
		85	270					60,0				

DT6CP Pump model only mount B14 to B31 cartridges.

(1) Lower speed can be achieved depending of pressure, temperature, oil viscosity. Consult our technical department

(2) **Nominal Power** in H.P. at 100 Bar and 1000 RPM (to convert into Kw multiply by 0.735).

To obtain the real input power at different pressure and revolutions, use the formula as follows:

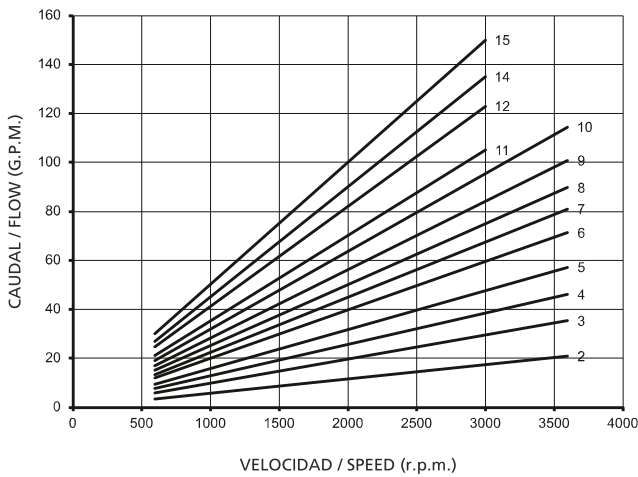
$$\text{Real input power} = \text{Input power} \times \frac{\text{R.P.M}}{1000} \times \frac{\text{Pressure (Bar)}}{1000}$$

## DT7BS / DT67B CHARACTERISTICS

DATA SHEET

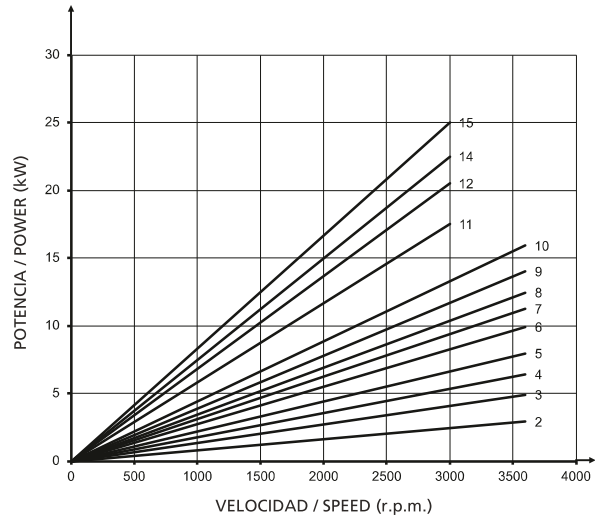
	FLOW															SPEED(rpm)		PRESSURE (bar)		WEIGHT
	Lts/min.at 1000 rpm	6	10	13	16	20	22	25	28	32	35	41	45	50	Mín.	Máx.*	Contín.*	Intermit.*	(Kgs.)	
Gal./min.at1200 rpm	2	3	4	5	6	7	8	9	10	11	12	14	15	500	3600	290	320	23		

\* See page 41 for further information about speed & pressure.



### Theoretical Flow (0 Bar)

To calculate the real flow at a given operating pressure, subtract the internal leakage value for this pressure (see diagram below) from the theoretical flow. (See diagram above).



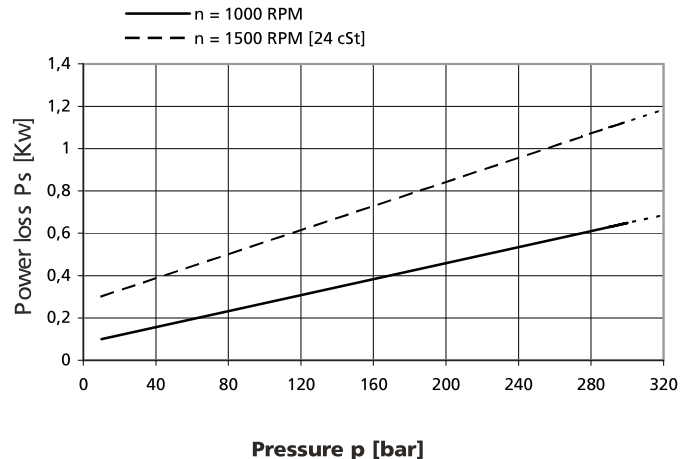
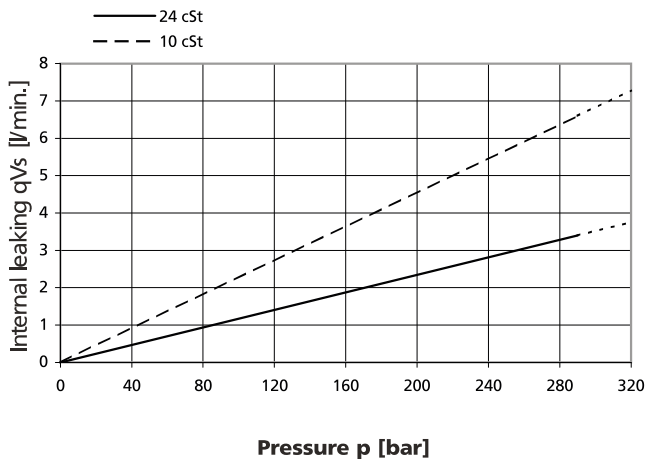
### Theoretical Input Power at 300 Bar

To calculate the theoretical input power at other pressures and speeds, use the formula:

$$P(Kw) = \frac{Q(L/min.) \times P(Bar)}{600}$$

Where Q is the theoretical flow (upper left diagram) and P the operating pressure.

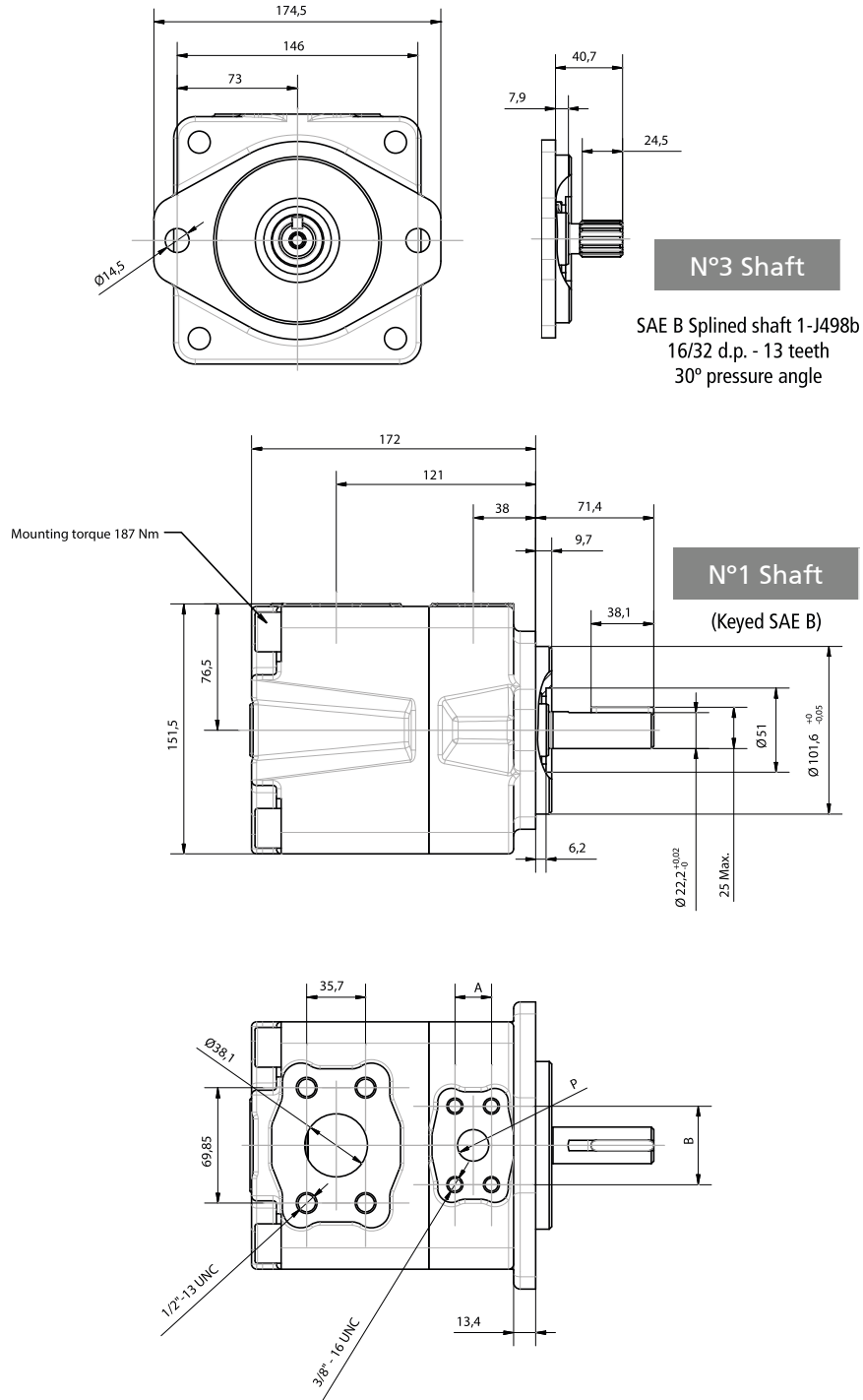
To calculate the real input power, add to the theoretical power the hydromechanical power losses (see diagram below).



Do not operate pump more than 5 seconds at any speed or viscosity if internal leakage is more than 50 % of theoretical flow

## DT7BS DIMENSIONS

DIMENSIONS IN MILLIMETERS. 1" = 25,4 mm



	00/M0	01/03/M1
P	25,4	19,1
A	26,2	22,2
B	52,4	47,6

	UNC		METRIC	
	00	01 03	M0	M1
P	1"	¾"	1"	¾"
S	1 ½"	1 ¼"	1 ½"	

SHAFT TORQUE LIMITS	
SHAFT	Nm
1	262.7
3	328

ADDITIONAL SHAFT CODES: SEE ON PAGES 114-118