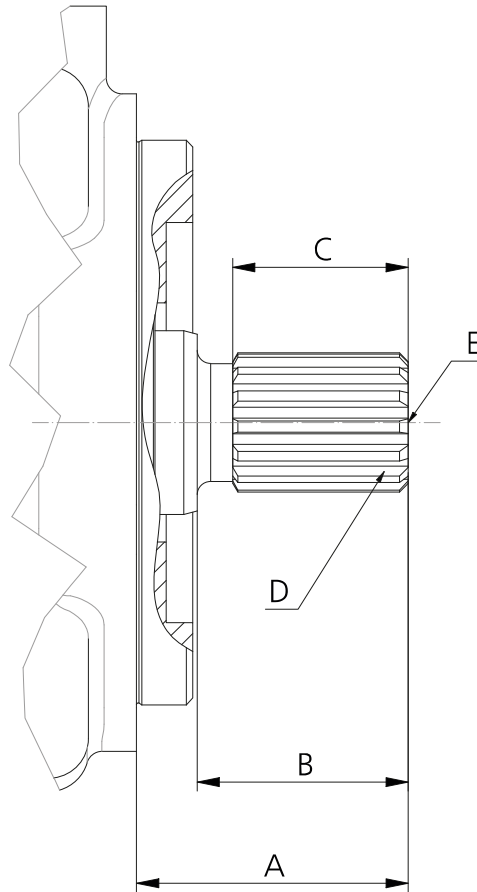


		Shaft No.	A	B	C	D	E	F
DT6	C	1	71,5	63,5	24,94	22,225	6,35x6,35x38	M8
		2	58,6	50,3	24,5	22,225	4,76x4,76x32	-
	D	1	84	75,7	35,225	31,75	7,94x7,94x54	M10
		2	72	65,2	35,24	31,75	7,94x7,94x40	-
	E	1	91	83	42,225	38,075	9,52x9,52x50	M10
		2	62,5	54	35,24	31,75	7,94x7,94x40	-
	CC	1	58,6	50,3	24,5	22,225	4,76x4,76x32	-
		2	71,5	63,5	28,2	25,4	6,35x6,35x38	M8
		V	88,5	80	35,3	32	10x8x50	M12
		W	55,1	-	35,24	31,8	7,94x7,94x40	M8
	DC	X	63,7	52,4	29,75	26,95	6,35x6,35x46	M8
		1	84	75,7	34,3	31,75	7,94x7,94x54	M10
		2	74	65,2	35,225	31,75	7,94x7,94x54	-
		5	84	75,5	38,375	34,9	7,94x7,94x54	M8
	EC	V	89	80	35,3	32	10x8x50	M12
		1	91	83	42,2	38	9,52x9,52x56	M10
ED	2	62,5	54	35,24	31,75	7,94x7,94x40	-	
	1	91	83	42,225	38,075	9,52x9,52x50	M10	
DCC	2	62,5	54	35,24	31,75	7,94x7,94x40	-	
	1	85,4	75,7	34,5	31,75	6,35x6,35x50	-	
EDC	2	91,5	81,8	42,276	38,075	9,52x9,52x56	M10	
	1	90	83	48,5	45	14x9x63	M12	
DT7	B	1	71,5	63,7	24,9	22,225	6,35x6,35x38	M8
		2	70	59,7	28,2	25	8x7x40	-
	D	1	84	75,7	35,225	31,75	7,94x7,94x54	M10



SHAFTS DATA SHEET

MODEL		Shaft No.	A	B	C	D	E
SERIES	SIZE						
DT6	C	3	41	33	27	A	-
		4	45,5	37,5	27,5	D	-
	D	3	56,5	47,4	40	B	-
		4	77,5	69,8	50	B	-
	E	3	62,5	48	42,5	B	-
		4	62,5	54,3	36,5	E	-
		12	62	47,5	39,5	B	M8
	CC	3	44,5	37,5	27,5	D	-
	DC	5	41	33	27	A	-
		3	56	47,4	41	B	-
	EC	4	78,5	69,8	51	B	-
		3	56	48	41	B	-
	ED	4	61	54,3	35,5	E	-
		13	74,5	66,1	59,5	B	-
	DCC	3	56	48	41	B	-
4		61	54,3	35,5	D	-	
EDC	3	57	47,5	40	B	-	
	4	62,5	53	33	D	-	
DT7	B	6	77,5	68	50	D	-
		3	74	67	53,5	F	-
D	3	41	32,8	26	A	-	
	3	54,5	47,3	40	B	-	
		4	77	69,8	50	B	-

	Z	Pitch	Major diam.	Form diam.	Minor diam.
A	13	16/32	22,17	20,637	18,16
B	14	12/24	31,7	29,634	26,65
C	22	24/48	24,03	22,123	24,54
D	15	16/32	25,4	23,813	21,28

CODE	TYPE
SINGLE PUMPS	
T70B001	T7B SHAFT 1
T70B003	T7B SHAFT 3
T60C001K	T6C SHAFT 1
T60C002K	T6C SHAFT 2
T60C003	T6C SHAFT 3
T60C004	T6C SHAFT 4
T60C00T	T6C SHAFT T
T6CG00S	T6GC SHAFT 6 + COUPLING
T60D001K	T6D SHAFT 1
T60D002K	T6D SHAFT 2
T60D003	T6D SHAFT 3
T60D004	T6D SHAFT 4
T60D00T	T6D SHAFT T
T60E001K	T6E SHAFT 1
T60E002K	T6E SHAFT 2
T60E003	T6E SHAFT 3
DOUBLE PUMPS	
T6CC001K	T6CC SHAFT 1
T6CC002K	T6CC SHAFT 2
T6CC003	T6CC SHAFT 3
T6CC005	T6CC SHAFT 5
T6CC00S	T6CC SHAFT S
T6CC00T	T6CC SHAFT T
T6CC00VK	T6CC SHAFT V
T6CC00WK	T6CC SHAFT W
T6CC00XK	T6CC SHAFT X
T6CCG0S	T6GCC SHAFT 6 + COUPLING
T6DC001K	T6DC SHAFT 1
T6DC002K	T6DC SHAFT 2
T6DC003	T6DC SHAFT 3
T6DC004	T6DC SHAFT 4
T6DC005K	T6DC SHAFT 5
T6DC007	T6DC SHAFT T
T6DC00VK	T6DC SHAFT V
T6EC001K	T6EC SHAFT 1
T6EC002K	T6EC SHAFT 2
T6EC003	T6EC SHAFT 3
T6EC004	T6EC SHAFT 4
T6ED001K	T6ED SHAFT 1
T6ED002K	T6ED SHAFT 2
T6ED003	T6ED SHAFT 3
T6ED004	T6ED SHAFT 4
TRIPLE PUMPS	
T6DCC01K	T6DCC SHAFT 1
T6DCC02K	T6DCC SHAFT 2
T6DCC03	T6DCC SHAFT 3
T6DCC04	T6DCC SHAFT 4
T6DCC07	T6DCC SHAFT T
T6EDC01K	T6EDC SHAFT 1
T6EDC03	T6EDC SHAFT 3

NOTE:

Ask TDZ for different shaft numbers