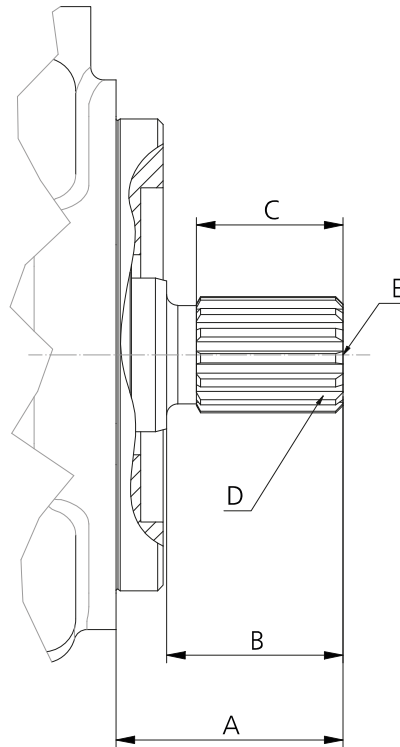


SHAFTS DATA SHEET

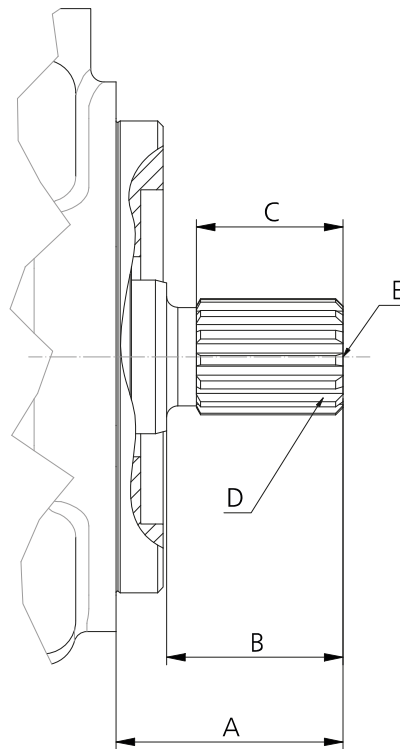
| MODEL | | Shaft No. | A | B | C | ØD | E | F |
|--------|------|-----------|------|------|--------|--------------|----------------|-----|
| SERIES | SIZE | | | | | | | |
| VS/VQ | 20 | 1 | 58,5 | 47 | 26,1 | 22,225 | 6,35x6,35x38 | - |
| | | 4 | 58,5 | 47 | 24,5 | 22,225 | 4,76x4,76x32 | M8 |
| | 25 | 1 | 58,5 | 47,5 | 24,5 | 22,225 | 4,76x4,76x32 | - |
| | | 4 | 72 | 60 | 25 | 22,225 | 6,35x6,35x38 | M8 |
| | 35 | 86 | 78 | 67 | 28,3 | 25,37 | 6,35x6,35x50 | - |
| | | 1 | 73,5 | 62 | 34,3 | 31,75 | 7,94x7,94x40 | - |
| | 43 | 86 | 85,5 | 74,5 | 37,5 | 34,9 | 7,94x7,94x54 | - |
| | | 1 | 61,5 | 47,5 | 34,3 | 31,75 | 4,7 x 4,7 x 32 | - |
| | 45 | 86 | 87,5 | 73 | 40,8 | 38,074 | 7,94x7,94x56 | - |
| | | 1 | 58,5 | 47 | 24,5 | 22,225 | 4,76x4,76x32 | - |
| | 63 | 86 | 78 | 67 | 28,3 | 25,37 | 6,35x6,35x50 | - |
| | | 1 | 73,5 | 62 | 35,1 | 31,75 | 7,94x7,94x40 | - |
| | 64 | 5 | 89,5 | 79 | 35,3 | 32 | 10x8x50 | M12 |
| | | 86 | 85,5 | 74,5 | 37,6 | 34,9 | 7,94x7,94x54 | - |
| | 73 | 1 | 73,5 | 62 | 35,1 | 31,75 | 7,94x7,94x40 | - |
| | | 15 | 84 | 72,5 | 35,3 | 31,75 | 7,94x7,94x54 | M10 |
| | 74 | 86 | 85,5 | 74,5 | 37,6 | 34,9 | 7,94x7,94x54 | - |
| | | 1 | 61,5 | 47,5 | 35,3 | 31,75 | 7,94x7,94x30 | - |
| | 76 | 86 | 90 | 73 | 40,8 | 38,074 | 9,52x9,52x56 | - |
| | | 1 | 61,5 | 47,5 | 35,3 | 31,75 | 7,94x7,94x30 | - |
| | 4TA | 86 | 87,5 | 73 | 42,3 | 38,074 | 9,52x9,52x56 | - |
| | | 1 | 61,5 | 47,5 | 35,3 | 31,75 | 7,94x7,94x30 | - |
| | 4TB | 86 | 87,5 | 73 | 42,3 | 38,074 | 9,52x9,52x56 | - |
| | | 1 | 58,5 | 47,5 | 24,5 | 22,225 | 4,76x4,76x32 | - |
| | 6TA | 86 | 78 | 67 | 28,3 | 25,37 | 6,35x6,35x50 | - |
| | | 1 | 78 | 67 | 28,3 | 25,37 | 6,35x6,35x50 | - |
| | 6TB | 86 | 85,5 | 74,5 | 37,5 | 34,9 | 7,94x7,94x54 | - |
| | | 1 | 85,5 | 74,5 | 37,5 | 34,9 | 7,94x7,94x54 | - |
| | 7TA | 86 | 85,5 | 74,5 | 37,5 | 34,9 | 7,94x7,94x54 | - |
| | | 1 | 87,5 | 73 | 40,8 | 38,074 | 7,94x7,94x56 | - |
| 7TB | 86 | 87,5 | 73 | 40,8 | 38,074 | 7,94x7,94x56 | - | |
| | 1 | 87,5 | 73 | 40,8 | 38,074 | 7,94x7,94x56 | - | |
| 7TC | 86 | 87,5 | 73 | 40,8 | 38,074 | 7,94x7,94x56 | - | |
| | 1 | 87,5 | 73 | 40,8 | 38,074 | 7,94x7,94x56 | - | |





| MODEL | | Shaft No. | A | B | C | D | E |
|--------|------|-----------|------|------|------|---|-------------|
| SERIES | SIZE | | | | | | |
| VS/VQ | 20 | 11 | 44 | 32 | 29,5 | A | - |
| | | J | 41 | 33,3 | 22 | A | - |
| | 25 | 11 | 44 | 33 | 34,5 | A | - |
| | | J | 41 | 33 | 21,5 | A | - |
| | | 69 | 45,5 | 38,5 | 34,5 | B | - |
| | | 104 | 61 | 45,5 | 42 | C | - |
| | | 105 | 51,5 | 36 | 32,5 | C | 3/8"-16 UNC |
| | | 109 | 73 | 57,4 | 46 | B | - |
| | 35 | 123 | 44 | 28,8 | 25,5 | A | - |
| | | 4 | 73,5 | 62,5 | 46,5 | B | - |
| | | 11 | 58,5 | 47,5 | 41,5 | B | - |
| | | J | 55,5 | 48 | 38,7 | B | - |
| | | 19 | 66 | 77,3 | 46 | B | - |
| | | 69 | 56 | 47,5 | 41,5 | B | - |
| | | 98 | 59,5 | 47,5 | 42 | B | - |
| | | 110 | 73,5 | 57 | 44 | B | - |
| | | 114 | 58 | 41,5 | 37,2 | B | - |
| | | 123 | 59 | 42,5 | 38 | B | - |
| | 45 | 4 | 73 | 60,5 | 45,5 | B | - |
| | | 11 | 61 | 47,5 | 39,5 | B | - |
| | | J | 56 | 48 | 38 | B | - |
| | | 12 | 62 | 47,5 | 39,5 | B | M8 |
| | | 33 | 72,5 | 58 | 48,5 | B | - |
| | | 111 | 73,5 | 55 | 48,5 | B | - |
| | 43 | 130 | 62,5 | 44 | 34,5 | B | - |
| | | 11 | 44 | 33 | 30 | A | - |
| | | J | 41 | 33,3 | 25,5 | A | - |
| | | 105 | 51 | 35,5 | 32 | C | - |
| | | 112 | 77 | 61,5 | 48 | B | - |
| | | 115 | 45,5 | 37,6 | 26 | D | - |
| | 63 | 145 | 62 | 47,5 | 43,5 | B | - |
| | | S | 59 | 47,5 | 40 | B | - |
| 11 | | 59 | 47,5 | 42,5 | B | - | |
| J | | 56 | 48 | 40 | B | - | |
| 13 | | 58 | 46,5 | 41 | B | - | |
| 19 | | 77,5 | 66 | 47 | B | - | |
| 113 | | 77,5 | 61 | 47 | B | - | |
| 114 | | 58 | 41,5 | 39 | B | - | |
| 123 | 59 | 42,5 | 39 | B | - | | |

| | Z | Pitch | Major diam. | Form diam. | Minor diam. |
|---|----|-------|-------------|------------|-------------|
| A | 13 | 16/32 | 22,17 | 20,637 | 18,16 |
| B | 14 | 12/24 | 31,7 | 29,634 | 26,65 |
| C | 22 | 24/48 | 24,03 | 22,123 | 24,54 |
| D | 15 | 16/32 | 25,4 | 23,813 | 21,28 |



| MODEL | | Shaft No. | A | B | C | D | E |
|--------|--|-----------|------|------|------|---|---|
| SERIES | SIZE | | | | | | |
| VS/VQ | 64 | 11 | 59 | 47,5 | 43 | B | - |
| | | J | 56 | 48 | 38,5 | B | - |
| | | 13 | 57,5 | 46 | 40,5 | B | - |
| | | 19 | 77,5 | 66 | 47,5 | B | - |
| | | 33 | 73,5 | 66 | 50,5 | B | - |
| | | 111 | 73,5 | 57 | 45,5 | B | - |
| | 73 | 123 | 58,5 | 42 | 38 | B | - |
| | | 142 | 78 | 61,5 | 50 | B | - |
| | | 11 | 62 | 47,5 | 40 | B | - |
| | | J | 55,5 | 48 | 34 | B | - |
| | | 13 | 77,5 | 65 | 49,5 | B | - |
| | | 2 | 78,5 | 63,5 | 54,5 | B | - |
| | 74 | J | 56 | 48 | 34 | B | - |
| | | 11 | 62 | 47,5 | 40 | B | - |
| | | 13 | 77,5 | 65 | 49,5 | B | - |
| | | 19 | 77,5 | 63 | 47,5 | B | - |
| | | 42 | 77,5 | 63 | 47,5 | B | - |
| | | 114 | 77,5 | 59 | 50 | B | - |
| | 76 | 115 | 65,5 | 47 | 41 | B | - |
| | | 130 | 62 | 43,5 | 34,5 | B | - |
| | | 11 | 62 | 47,5 | 39,5 | B | - |
| | | J | 56 | 41,6 | 31,5 | B | - |
| | | 13 | 74,5 | 65 | 49,5 | B | - |
| | | 19 | 77,5 | 63 | 47,5 | B | - |
| | 4TA 4TB 6TA 6TB 6TC 7TA 7TB 7TC | 113 | 77,5 | 59 | 50 | B | - |
| | | 114 | 77,5 | 59 | 50 | B | - |
| | | 130 | 62 | 43,5 | 34,5 | B | - |
| | | 11 | 78 | 67 | 28,3 | A | - |
| | | 11 | 85,5 | 74,5 | 37,5 | A | - |
| | | 11 | 85,5 | 74,5 | 37,5 | B | - |
| 11 | | 85,5 | 74,5 | 37,5 | B | - | |
| 11 | | 87,5 | 73 | 40,8 | B | - | |
| 11 | | 87,5 | 73 | 40,8 | B | - | |
| 11 | | 87,5 | 73 | 40,8 | B | - | |

| | Z | Pitch | Major diam. | Form diam. | Minor diam. |
|---|----|-------|-------------|------------|-------------|
| A | 13 | 16/32 | 22,17 | 20,637 | 18,16 |
| B | 14 | 12/24 | 31,7 | 29,634 | 26,65 |
| C | 22 | 24/48 | 24,03 | 22,123 | 24,54 |
| D | 15 | 16/32 | 25,4 | 23,813 | 21,28 |



Bezares Group

VICKERS TYPE SHAFTS

| CODE | TYPE |
|-------------------------|-----------------|
| SINGLE PUMPS | |
| VC10901 | V10 SHAFT 1 |
| VC10903 | V10 SHAFT 3 |
| VC10911 | V10 SHAFT 11 |
| VC10912 | V10 SHAFT 12 |
| VC10938 | V10 SHAFT 38 |
| VC20901 | V20 SHAFT 1 |
| VC20903 | V20 SHAFT 3 |
| VC20906 | V20 SHAFT N.6 |
| VC20911 | V20 SHAFT 11 |
| VC20915 | V20 SHAFT 15 |
| VC20938 | V20 SHAFT 38 |
| VK20101K | 20V* SHAFT 1 |
| VK20151 | 20V* SHAFT 11 |
| VK25001K | 25V* SHAFT 1 |
| VK25011 | 25V* SHAFT 11 |
| VK25086K | 25V* SHAFT 86 |
| VK35001K | 35V* SHAFT 1 |
| VK35011 | 35V* SHAFT 11 |
| VK35086K | 35V* SHAFT 86 |
| VK45001K | 45V* SHAFT 1 |
| VK45011 | 45V* SHAFT 11 |
| VK45086K | 45V* SHAFT 86 |
| THRU-DRIVE PUMPS | |
| VK4TA01K | 25V*TA SHAFT 1 |
| VK4TA11 | 25V*TA SHAFT 11 |
| VK4TA86K | 25V*TA SHAFT 86 |
| VK4TB11 | 25V*TB SHAFT 11 |
| VK4TB86K | 25V*TB SHAFT 86 |
| VK6TA11 | 35V*TA SHAFT 11 |
| VK6TA86K | 35V*TA SHAFT 86 |
| VK6TB11 | 35V*TB SHAFT 11 |
| VK6TB86K | 35V*TB SHAFT 86 |
| VK6TC11 | 35V*TC SHAFT 11 |
| VK6TC86K | 35V*TC SHAFT 86 |
| VK7TA11 | 45V*TA SHAFT 11 |
| VK7TA86K | 45V*TA SHAFT 86 |
| VK7TB11 | 45V*TB SHAFT 11 |
| VK7TB86K | 45V*TB SHAFT 86 |
| VK7TC11 | 45V*TC SHAFT 11 |
| VK7TC86K | 45V*TC SHAFT 86 |

| CODE | TYPE |
|---------------------|-----------------|
| DOUBLE PUMPS | |
| VC21901 | V2010 SHAFT 1 |
| VC21911 | V2010 SHAFT 11 |
| VC22901 | V2020 SHAFT 1 |
| VC22911 | V2020 SHAFT 11 |
| VK43001K | 2520V* SHAFT 1 |
| VK43011 | 2520V* SHAFT 11 |
| VK43086K | 2520V* SHAFT 86 |
| VK63001K | 3520V* SHAFT 1 |
| VK63011 | 3520V* SHAFT 11 |
| VK63086K | 3520V* SHAFT 86 |
| VK64001K | 3525V* SHAFT 1 |
| VK64011 | 3525V* SHAFT 11 |
| VK64086K | 3525V* SHAFT 86 |
| VK73001K | 4520V* SHAFT 1 |
| VK73011 | 4520V* SHAFT 11 |
| VK73086K | 4520V* SHAFT 86 |
| VK74001K | 4525V* SHAFT 1 |
| VK74011 | 4525V* SHAFT 11 |
| VK74086K | 4525V* SHAFT 86 |
| VK76001K | 4535V* SHAFT 1 |
| VK76011 | 4535V* SHAFT 11 |
| VK76086K | 4535V* SHAFT 86 |

NOTE:

Ask TDZ for different shaft numbers