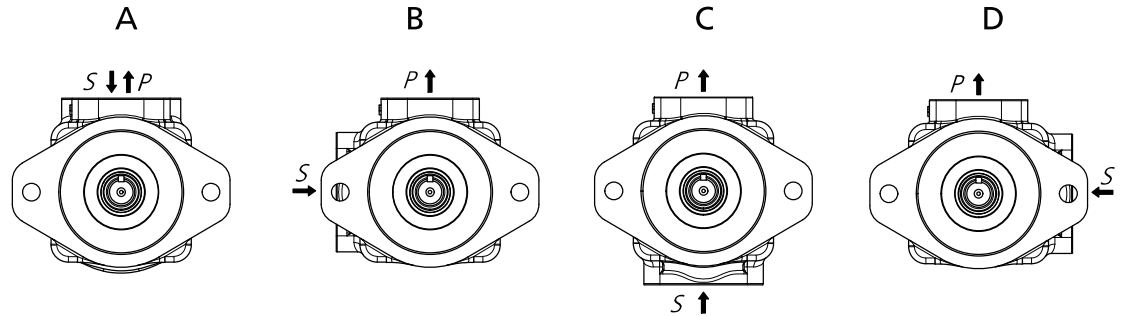


## ORDERING CODE

DATA SHEET

	F3	VS	25	21	D	1	A	00	
<b>F3 - SPECIAL SEALS FOR FIRE-RESISTANT FLUIDS.</b> Omit if not required								<b>SPECIAL CHARACTERISTICS</b> Omit if not required 02: BSP 03: UNF 04: NPT	
<b>PUMP TYPE</b> VC = 12 vane pump VC10, VC20 Mobile and industrial use  VK = 10 vane pump VK20 Industrial use, unc threads.								<b>PORTING COMBINATION</b> A: Outlet in line with inlet. B: 90° clockwise from inlet. C: 180° from inlet. D: 90° counterclockwise from inlet. Viewed from shaft end of pump	
<b>VS = 12 vane pump</b> VS25, VS35, VS45 Industrial use (very quiet), UNC threads									
<b>VQ = 10 vane pump</b> Bronze plates VQ20, VQ25, VQ35, VQ45, VS25, VS35, VS45 Mobile use, UNC threads									
<b>PUMP MODEL</b> VC10, VC20; VK20, VQ20; VS25, VQ25; VS35, VQ35; VS45, VQ45								<b>SHAFT TYPE</b> See shaft options on pump dimension pages.	
<b>FLOW</b> VC, VS and VQ Gallons per minute @1200 rpm and 7 bar								<b>ROTATION</b> D = Clockwise rotation. Y = Counterclockwise Viewed from shaft end of pump	

### PORTING COMBINATION



# CHARACTERISTICS

TYPE	FLOW			SPEED(rpm)		PRESSURE (bar)		NOMINAL POWER	CONNECTION		WEIGHT	
	VICKERS	L @ 1000RPM	GAL. @ 1200RPM	REDUC-TION (1)	MIN	MAX	CONT	INTERMIT	(2)	INLET	OUTLET	KG
VC10		3	1	0,8	600	4800	155	180	0,7	(3)	(3)	4,5
		6	2	0,9		4500			1,4			
		9	3	1,2		4000			2,1			
		13	4	1,6		3400			2,7			
		16	5	1,7		3400			3,2			
		19	6	1,8		3000			3,7			
		22	7	1,9		2800			4,2			
VC20		19	6	2,8	600	3400	155	180	3,9	(3)	(3)	7,3
		22	7	4,2		3000			4,4			
		26	8	4,5		2800			5,1			
		29	9	4,8		2800			5,6			
		36	11	4,8		2500			6,5			
		39	12	5,4		2400			7,5			
		42	13	6,0		2400			8,1			
VQ20 VK20		8	2	0,9	600	2600	175	210	1,9	Ø 1 1/2"	Ø 3/4"	12
		18	5	2,1					4			
		27	8	2,8					6,6			
		29	9	3,5					6,9			
		36	11	4,3					7,3			
		39	12	4,3					7,4			
		46	14	5,3					7,6			
VQ25 VS25		32	10	5,1	600	2500 1800 (VS)	175	210	8,6	Ø 1 1/2"	Ø 1"	15
		40	12	5,7					10,4			
		45	14	5,7					11,6			
		55	17	5,8					13,8			
		60	19	5,8					14,6			
		67	21	6					16,8			
		80	25	6,2					1500			
VQ35 VS35		66	21	8,6	600	2400 1800 (VS)	175	210	16,8	Ø 2"	Ø 1 1/4"	23
		81	25	9					20,3			
		97	30	10					24,3			
		112	35	11,4					27,4			
		121	38	11,4					29,3			
		142	45	13,1					1500			
VQ45 VS45		138	42	15	600	2200 1800 (VS)	155	175	32,3	Ø 3"	Ø 1 1/2"	35,5
		148	45	15,7					36,3			
		162	50	14,3					37,9			
		180	57	17,9					43,2			
		193	60	18,6					46,1			
		214	67	22					51,2			
		240	75	26					57,4			

**(1) Delivery flow reduction** in Ltrs./min. at 100 Bar. 22 cST of oil viscosity at operating temperature. To calculate the approximate delivery flow at a given pressure and speed, use the following formula with flow reduction and theoretical flow values shown in the chart. Flow reduction values are independent of shaft speed.

$$\text{Approx. output flow (Ltrs./min.)} = \text{Theoretical flow} \times \frac{\text{R.P.M}}{1000} - \text{Reduction} \times \frac{\text{Pressure (Bar)}}{1000}$$

**(2) Nominal Power** in H.P. at 100 Bar and 1000 RPM (to convert into Kw multiply by 0.735). To obtain the real input power at different pressure and revolutions, use the formula as follows:

$$\text{Real input power} = \text{Input power} \times \frac{\text{R.P.M}}{1000} \times \frac{\text{Pressure (Bar)}}{1000}$$

**(3)** See options on dimension pages.

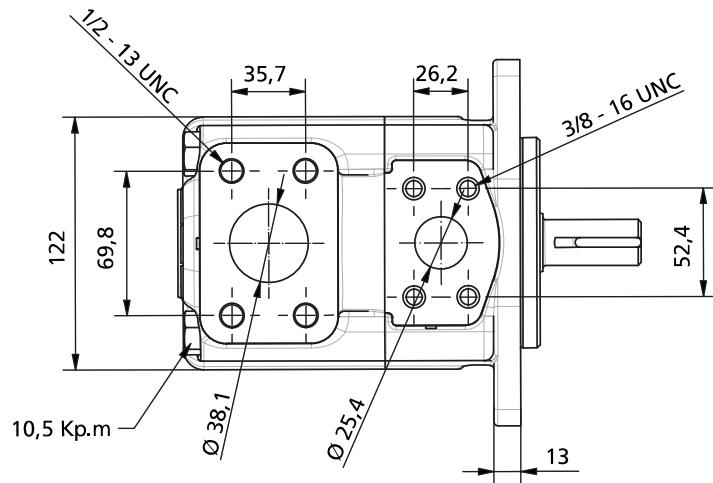
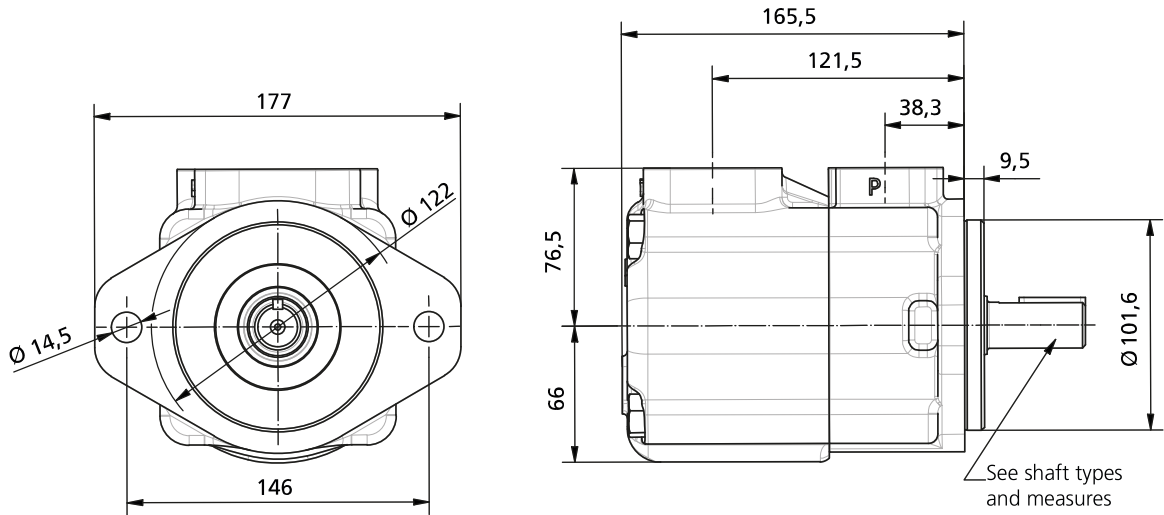
## VS-25 / VQ-25 DIMENSIONS

DATA SHEET

	FLOW							SPEED(rpm)		PRESSURE (bar)		CONNECTION		WEIGHT
	Lts/min.at 1000 rpm	32	40	45	55	60	67	80	Mín.	Máx.*	Contin.*	Intermit.*	Inlet	Outlet
Gal/min.at 1200 rpm	10	12	14	17	19	21	25	600	2500	175	210	Ø1" ½	Ø1"	15

\* See page 27

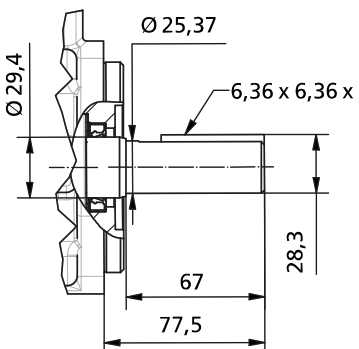
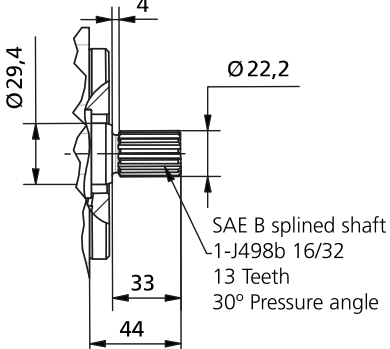
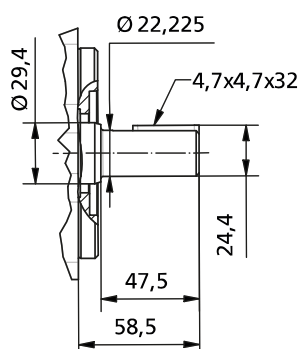
DIMENSIONS IN MILLIMETERS. 1" = 25,4 mm



N°1 Shaft

N°11 Shaft

N°86 Shaft



ADDITIONAL SHAFT CODES: SEE ON PAGES 114-118

**VS-25 / VQ-25**

**FLOW AND INPUT POWER DIAGRAMS**

