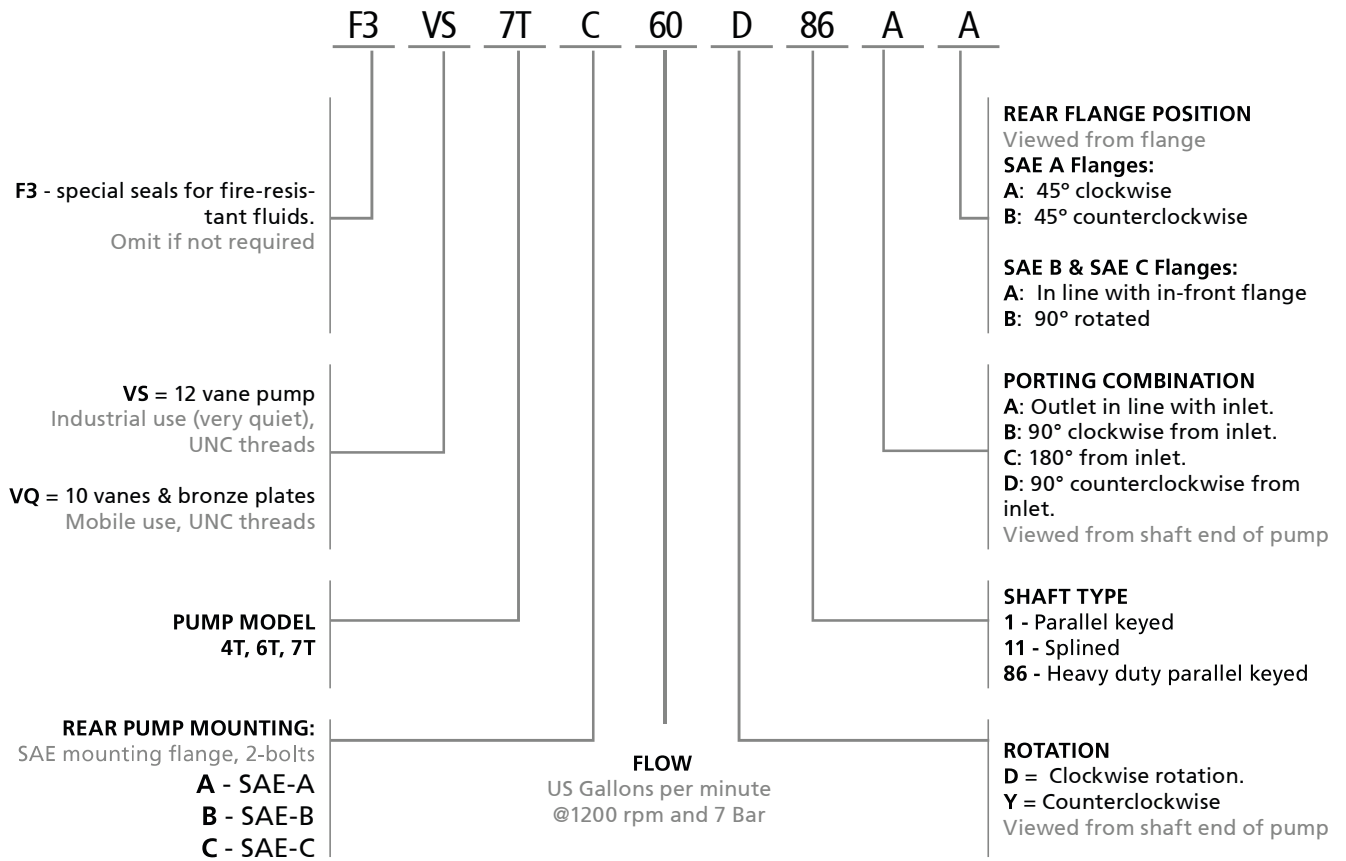
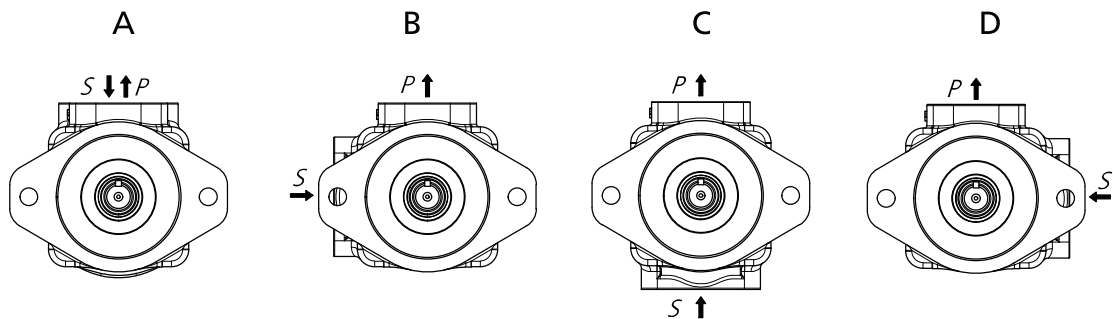


## ORDERING CODE

DATA SHEET



### PORTING COMBINATION



## CHARACTERISTICS

TYPE	FLOW			SPEED(rpm)		PRESSURE (bar)		NOMINAL POWER	CONNECTION		WEIGHT	
	VICKERS	L @ 1000RPM	GAL. @ 1200RPM	REDUC-TION (1)	MIN	MAX	CONT	INTERMIT	(2)	INLET	OUTLET	KG
VQ4T VS4T		32	10	4,5	600	2500 1800 (VS)	175	210	6,9	Ø64	Ø25,4	19,5
		40	12	5,7					10,4			
		45	14						11,6			
		55	17	5,8					13,8			
		60	19						14,6			
		67	21	6					16,8			
		80	25	6,2					20,3			
VQ6T VS6T		66	21	8,6	600	2400 1800 (VS)	175	210	16,8	Ø76	Ø31,8	29,5
		81	25	9					20,3			
		97	30	10					24,3			
		112	35	11,4					27,4			
		121	38						29,3			
		142	45	13,1					33,3			
									1500			
VQ7T VS7T		138	42	15	600	2200 1800 (VS)	155	175	32,3	Ø89	Ø38,1	38
		148	47	15,7					36,3			
		162	50	14,3					37,9			
		180	57	17,9					43,2			
		193	60	18,6					46,1			
		214	67	22					51,2			
		240	75	26					57,4			

DATA SHEET

**(1) Delivery flow reduction** in Ltrs./min. at 100 Bar. 22 cSt of oil viscosity at operating temperature. To calculate the approximate delivery flow at a given pressure and speed, use the following formula with flow reduction and theoretical flow values shown in the chart. Flow reduction values are independent of shaft speed.

**(2) Nominal Power** in H.P. at 100 Bar and 1000 RPM (to convert into Kw multiply by 0.735). To obtain the real input power at different pressure and revolutions, use the formula as follows:

$$\text{Real input power} = \text{Input power} \times \frac{\text{R.P.M}}{1000} \times \frac{\text{Pressure (Bar)}}{1000}$$

### REAR PUMP MOUNTING

The mounted pump to the V\*\*T\* should have the shaft shown below:

MODEL	MOUNTED PUMP SHAFT			
	DP SPLINED	TEETH	PRESS ANGLE	FLANGE
V**TA	16/32	9	30°	SAE A
V**TB		13		SAE B
V**TC	12/24	14		SAE C

### TRANSMISSIBLE MAXIMUM TORQUE

The torque of the V\*\*T plus the torque of the rear pump, in pressure, shall be equal to or less than the below torques:

SHAFT	Max. Torque Nm		
	V*4T	V*6T	V*7T
1	313	392	588
11		568	803
86	392	588	

### MAXIMUM TORQUE OF THE MOUNTED REAR PUMP

The torque of the mounted pump to the V\*\*T rear pump, in pressure, shall be equal to or less than the indicated torques on next page.

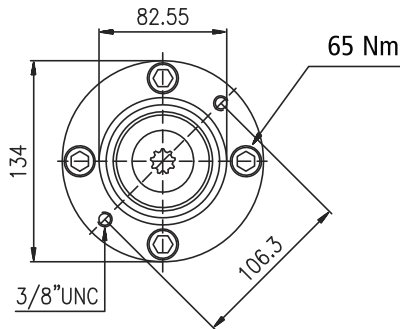
**REAR FLANGE MOUNTING OF THE V\*\*T\*  
DIMENSIONS**

DIMENSIONS IN MILLIMETERS. 1" = 25,4 mm

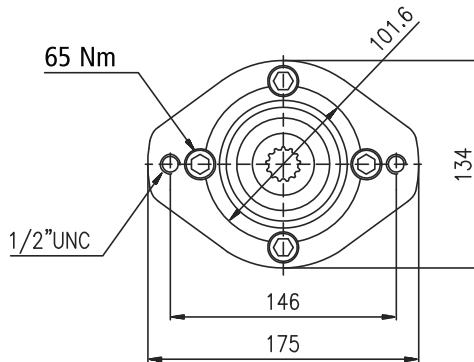
DATA SHEET

REAR FLANGE (CONNECTION)	MAX TORQUE Nm
A	130
B	315
C	400 (V*6TC) 700 (V*7TC)

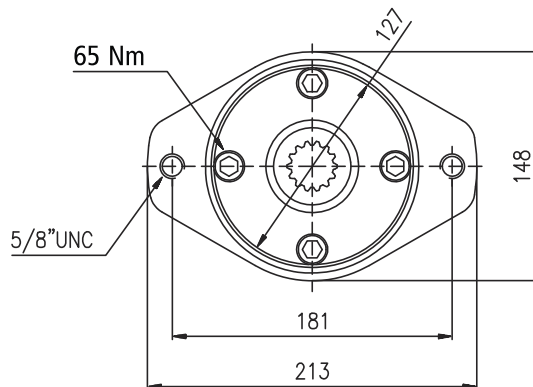
**V\*4TA, V\*6TA & V\*7TA**



**V\*4TB, V\*6TB & V\*7TB**

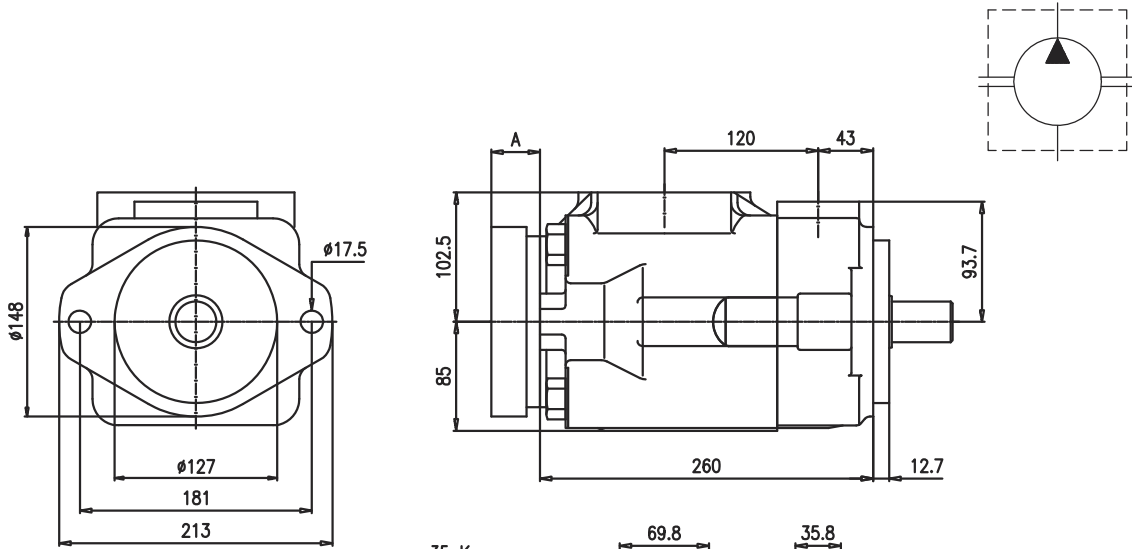


**V\*6TC & V\*7TC**

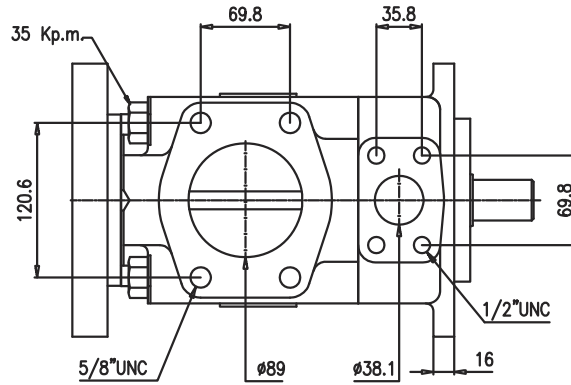


**VS7T / VQ7T DIMENSIONS**

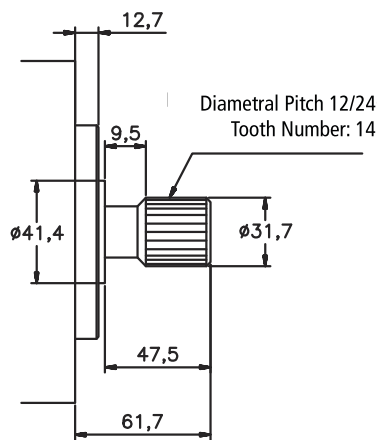
DIMENSIONS IN MILLIMETERS. 1" = 25,4 mm



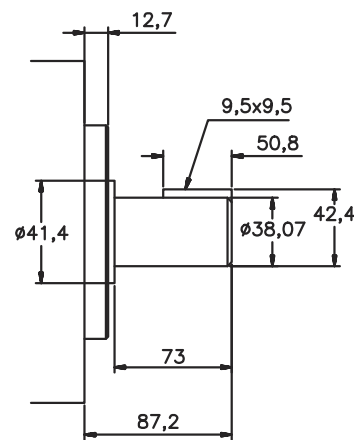
MODEL	A
V*7TA	20
V*7TB	30
V*7TC	38



**N°11 Shaft**



**N°86 Shaft**



ADDITIONAL SHAFT CODES: SEE ON PAGES 114-118