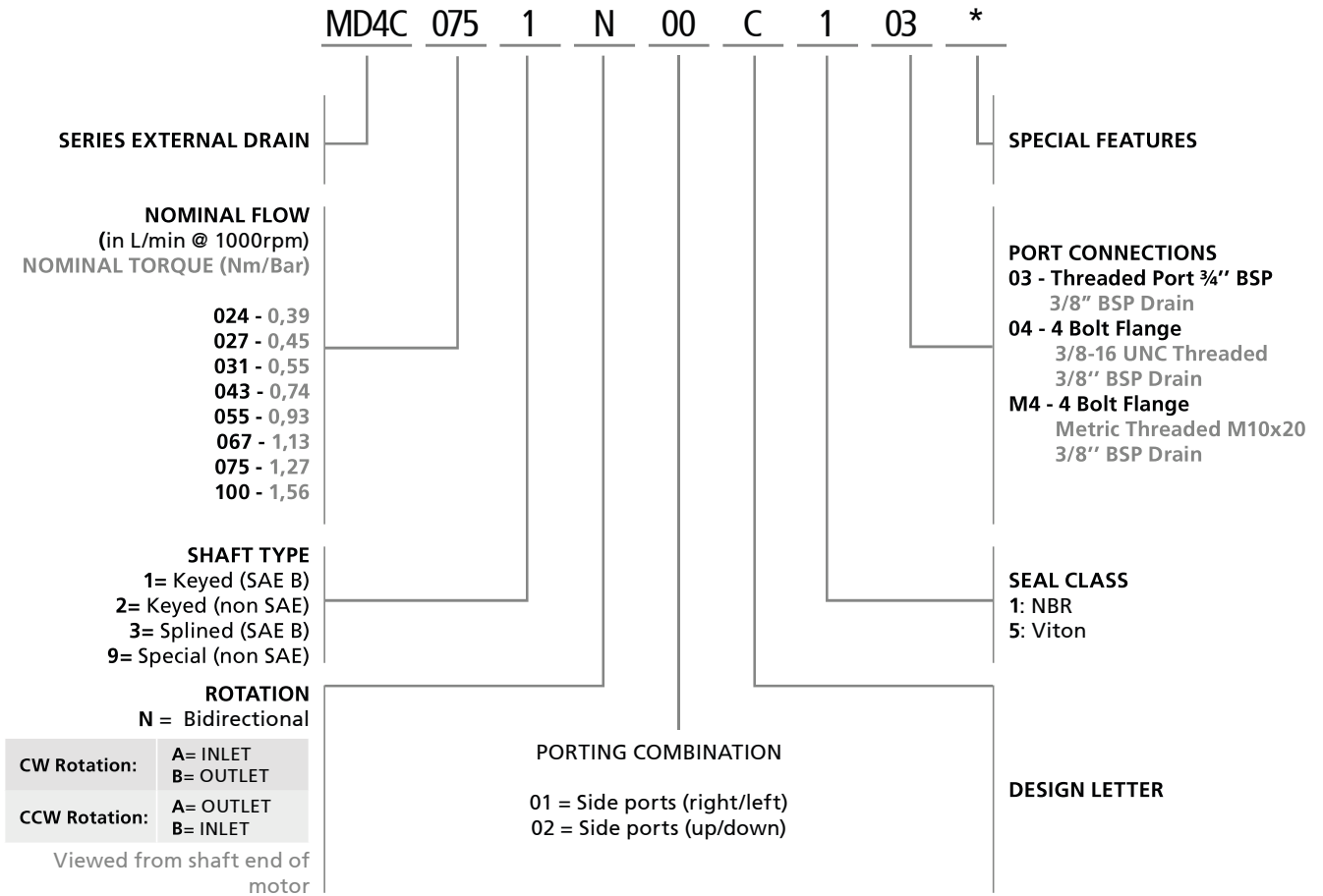
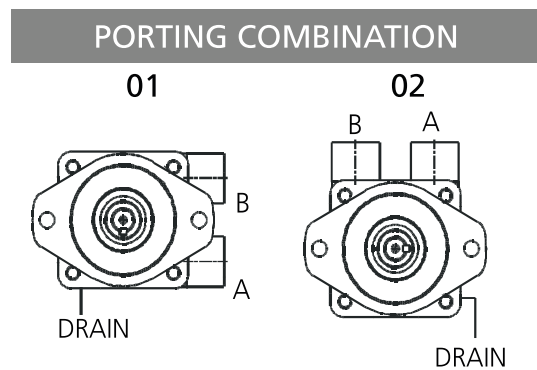
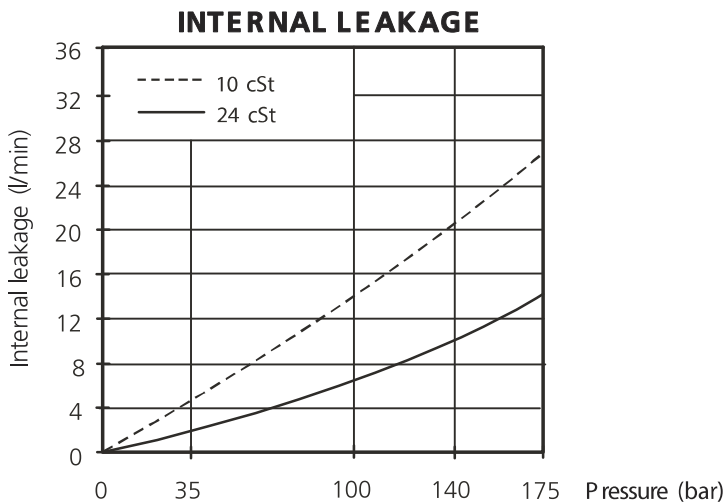


ORDERING CODE

DATA SHEET



OPERATING CHARACTERISTICS



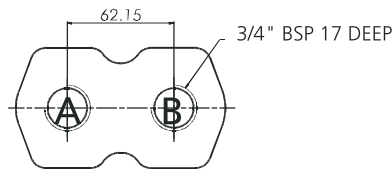
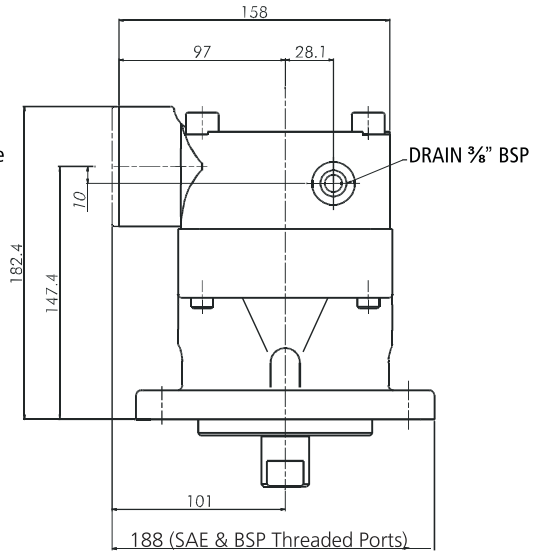
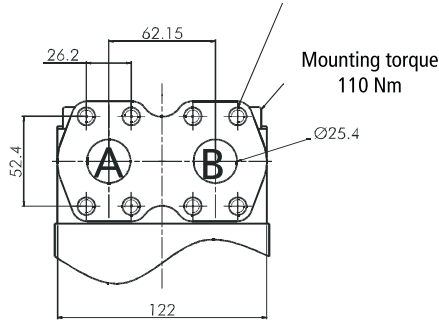
DIMENSIONS, SHAFTS & PORT CONNECTIONS

DIMENSIONS IN MILLIMETERS. 1" = 25,4 mm

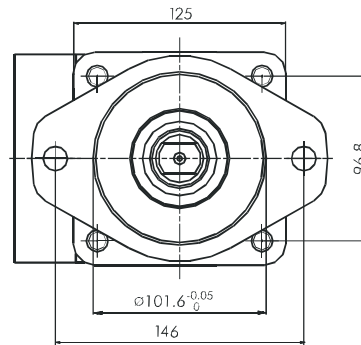
DATA SHEET

PORT CONNECTIONS

3/8" 16 UNC 19 DEEP - 8 HOLES
(M10 X 20 DEEP - METRIC VERSION)

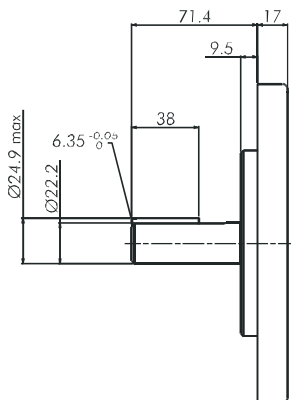


BSP Threaded Port

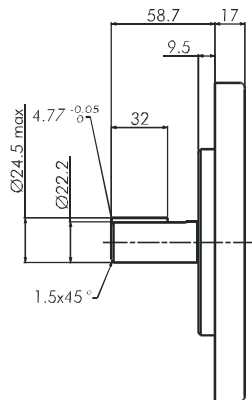


Weight : 15,4Kg

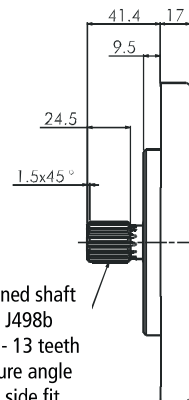
SHAFT TYPE



N°1 Shaft

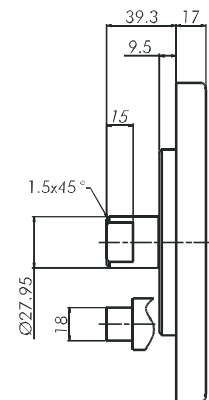


N°2 Shaft



N°3 Shaft

SAE B splined shaft
Class 1 J498b
16/32 d.p. - 13 teeth
30° pressure angle
flat root side fit



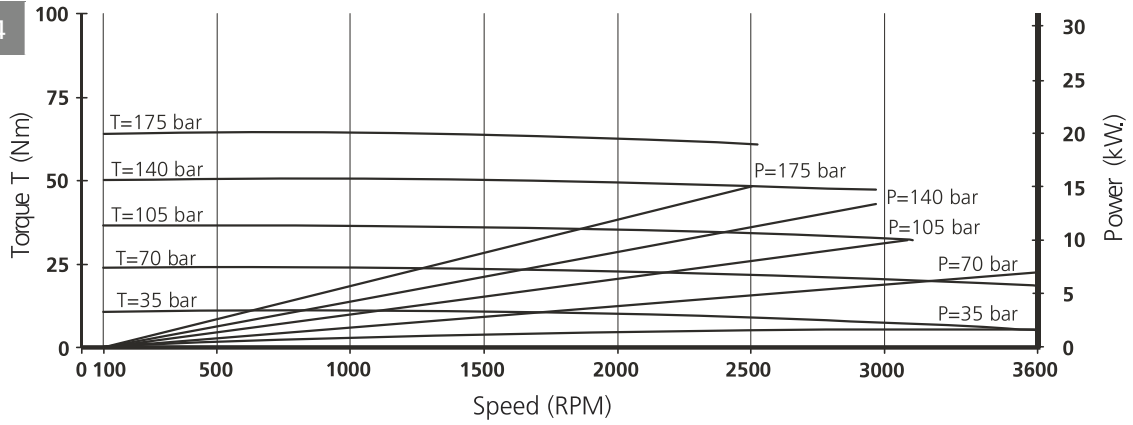
N°9 Shaft

ADDITIONAL SHAFT CODES: SEE ON PAGES 114-118

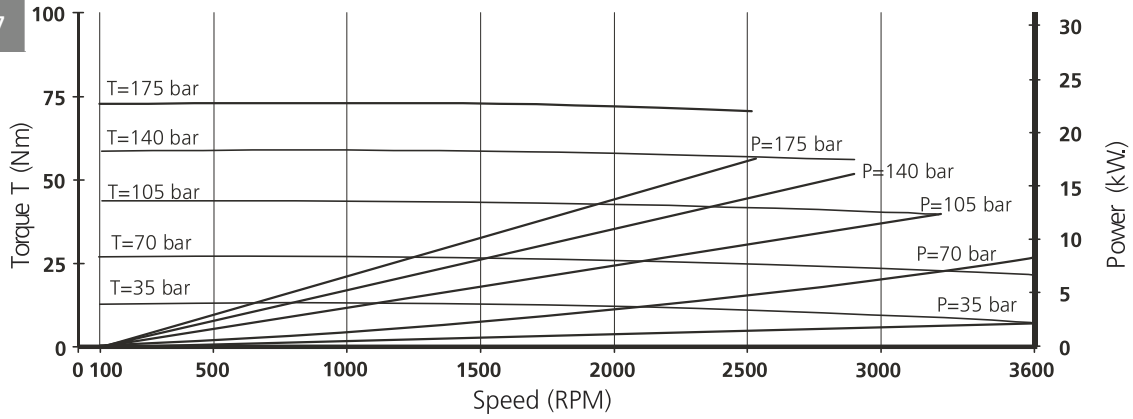
PERFORMANCE CURVES - OIL VISCOSITY : 24 CST (45°)

DATA SHEET

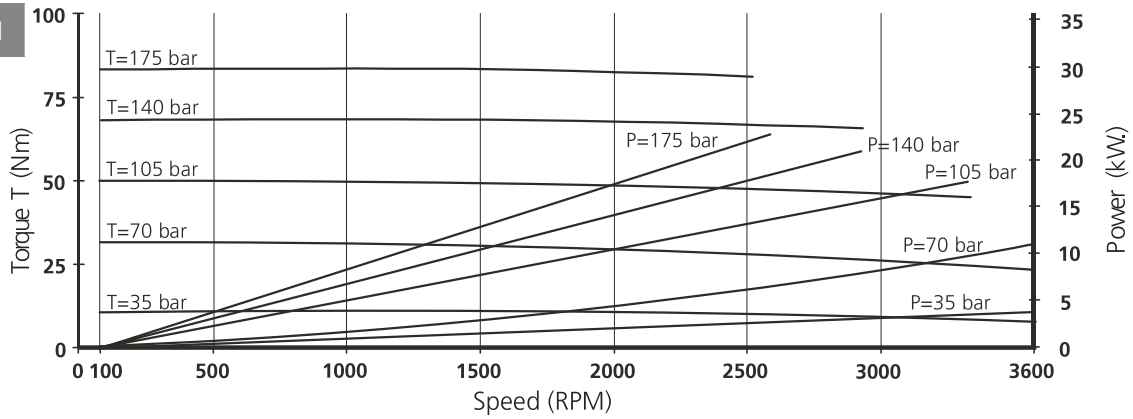
MD4C - 024



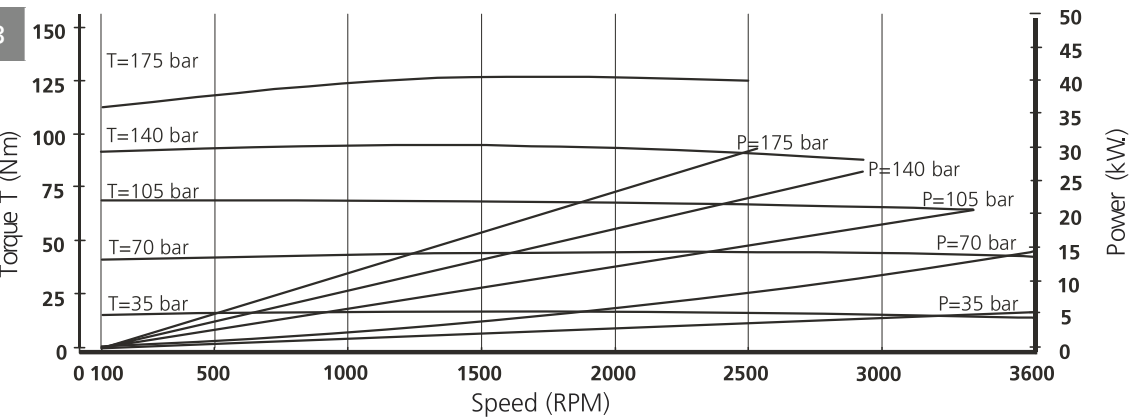
MD4C - 027



MD4C - 031



MD4C - 043



PERFORMANCE CURVES - OIL VISCOSITY : 24 CST (45°)

