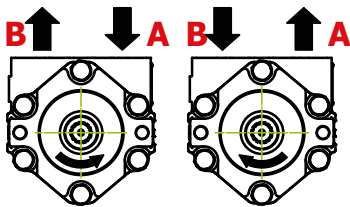
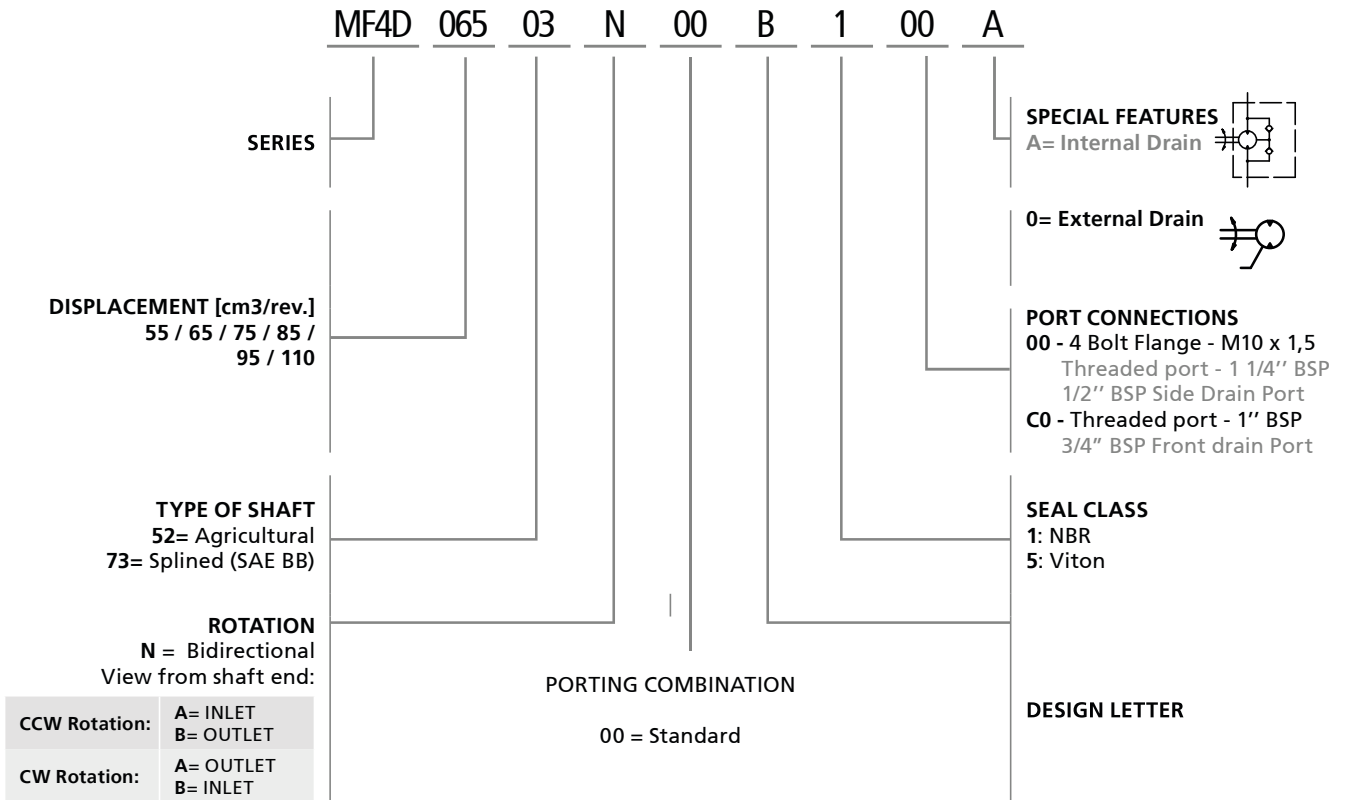


ORDERING CODE



OPERATING CHARACTERISTICS

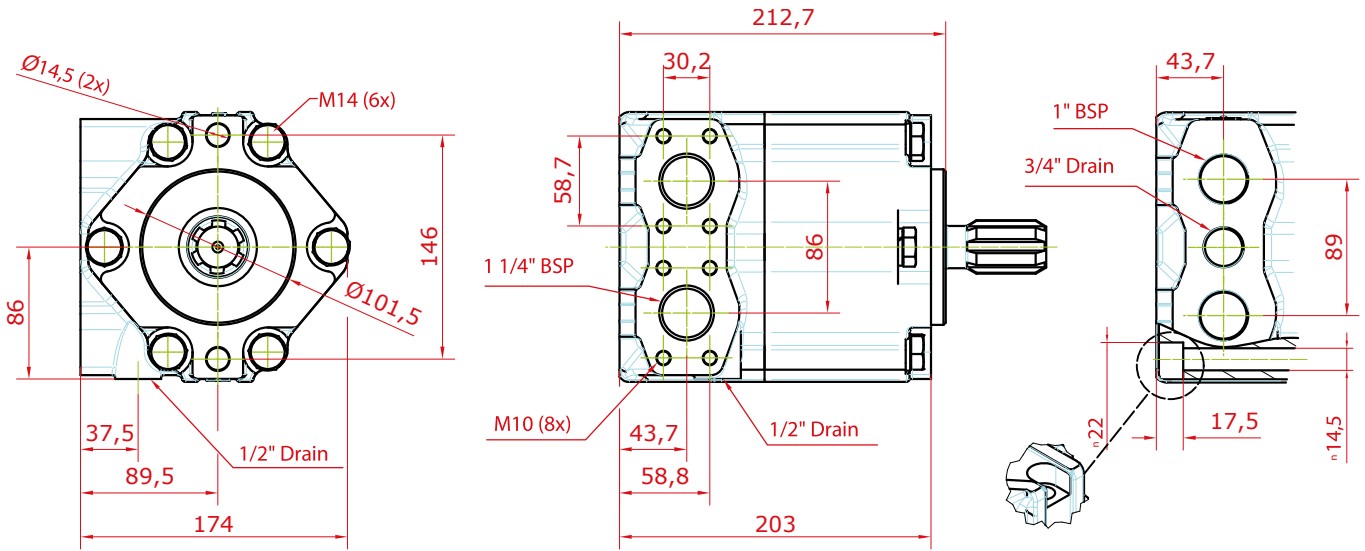
Maximum external leakage
5 l/min @ 240 bar

DIMENSIONS, SHAFTS & PORT CONNECTIONS

DIMENSIONS IN MILLIMETERS. 1" = 25,4 mm

DATA SHEET

PORT CONNECTIONS

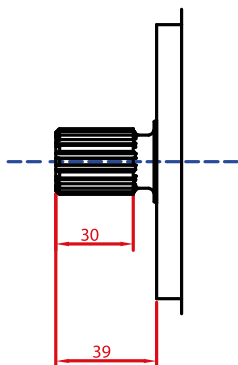


Flange 101-2 ISO 3019-1

Port ISO 6162-1 P32M

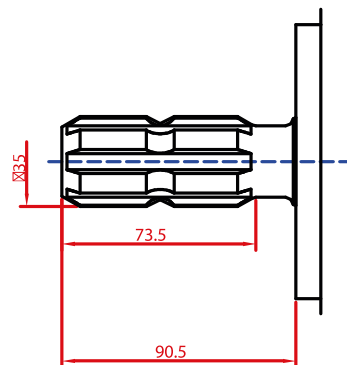
Front Drain Option

SHAFT TYPE



N°73 Shaft

Splined shaft
Class 1 J498b
16/32 d.p. - 15 teeth
30° pressure angle
flat root side fit



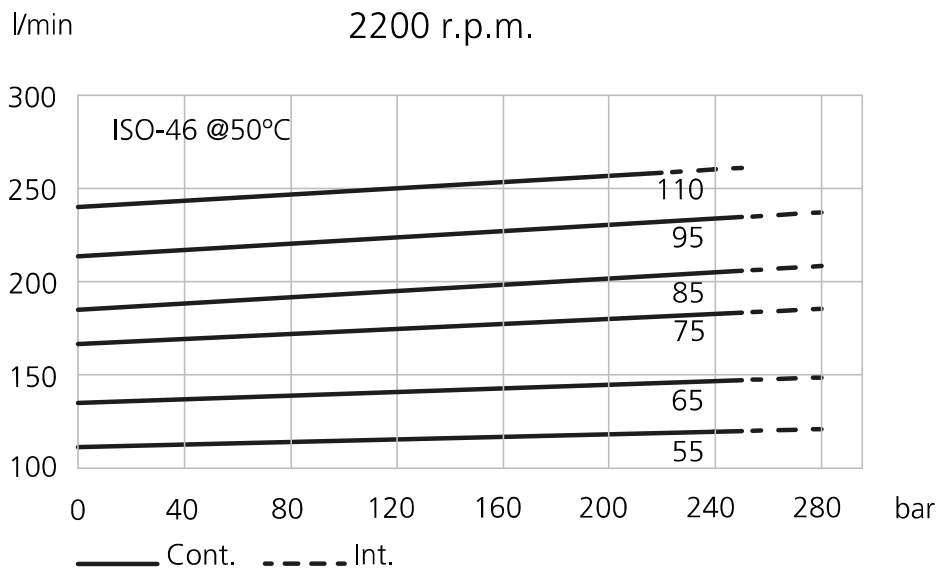
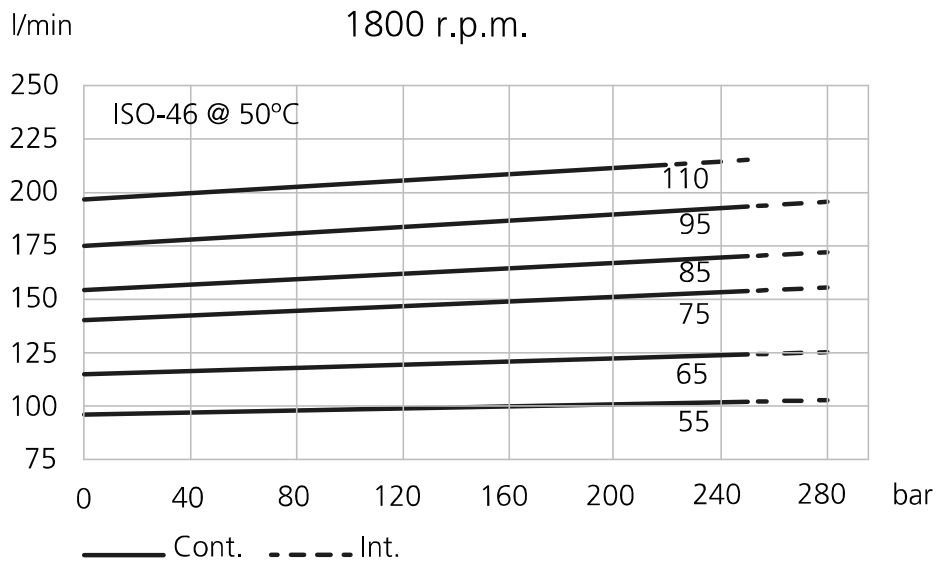
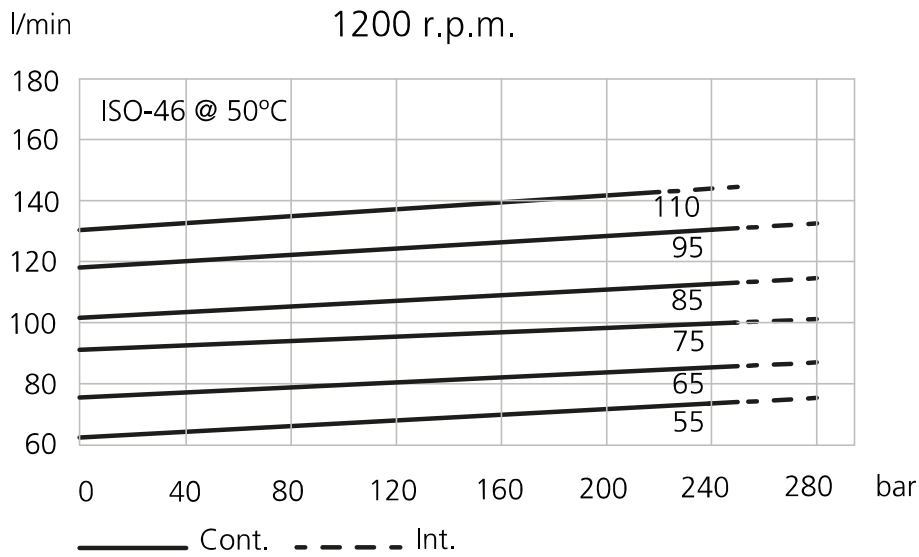
N°52 Shaft

PTO Shaft
ISO/R 500

ADDITIONAL SHAFT CODES: SEE ON PAGES 114-118

PERFORMANCE CURVES - OIL VISCOSITY : 24 CST (45°)

DATA SHEET



PERFORMANCE CURVES - OIL VISCOSITY : 24 CST (45°)

